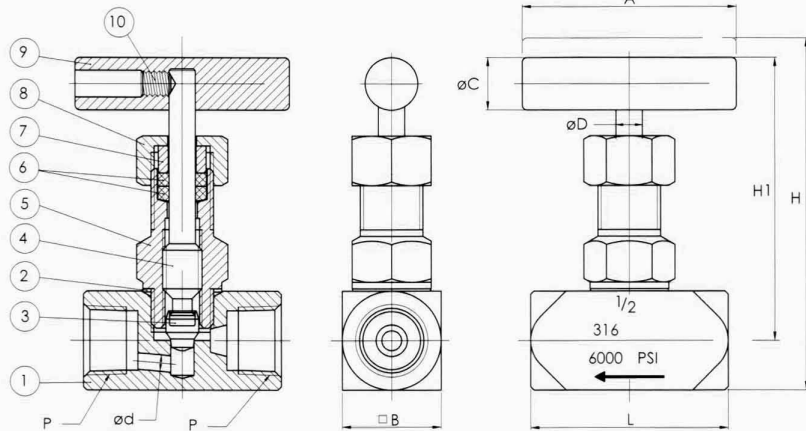


# VT-ND 6000 PSI NEEDLE VALVE S.S.316/CARBON STEEL

SIZE: 1/4"~1"



- ▲ Investment Casting
- ▲ Screwed-In Bonnet
- ▲ Rising Stem
- ▲ T Handle Operation
- ▲ Connecting Threads:  
ANSI B2.1  
BS21  
DIN
- ▲ Working Pressure: 6000psi  
OPTION: 10,000psi

## MATERIAL

NO	DESCRIPTION	SS 316	CARBON STEEL
1	BODY	SS 316	CARBON STEEL
2	BODY SEAL	PTFE	PTFE
3	DISC	SS 316	SS 316
4	STEM	SS 316	SS 316
5	BONNET	SS 316	CARBON STEEL
6	PACKING	PTFE	PTFE
7	GLAND	SS 316	SS 316
8	PACKING NUT	SS 316	S15C
9	HANDLE	SS 410	SS 410
10	FIXING SCREW	ALLOY STEEL	ALLOY STEEL

SIZE		A	□ B	∅ C	∅ B	∅ D	H	H1	L	P
MM	INCH									
8	1/4"	60	22	13	3	7	82	65	45	1/4"
10	3/8"	60	25	13	3	7	85	67	50	3/8"
15	1/2"	65	30	16	5	8	107	86	60	1/2"
20	3/4"	65	35	16	5	8	111	88	65	3/4"
25	1"	80	46	19	7	10	130	100	83	1"

