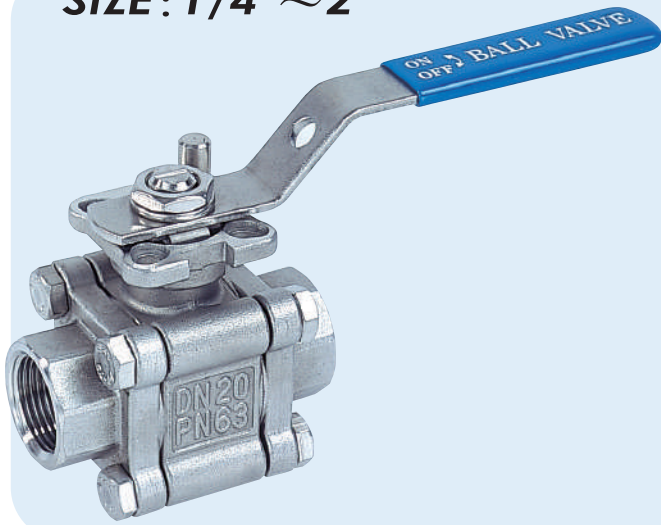


SCREWED END / SOCKET WELD END / BUTT WELD END
3-PIECE FULL DIRECT MOUNTING PAD PORT BALL VALVE



V-3WMH TYPE

SIZE: 1/4" ~ 2"



DIRECT MOUNTING PAD

STAINLESS STEEL

AISI-316 (EN10213-4 1.4408) (ASTM-A351-CF8M)

AISI-304 (EN10213-4 1.4308) (ASTM-A351-CF8)

CARBON STEEL

S-20C (EN10213-2 1.0619) (ASTM-A216-WCB)

FEATURES:

*Pipe thread in accordance with ANSI B2.1, BS21 1973, DIN259/2999, ISO 228

*Blow-out proof stem

*Investment casting body and cap

*2000 PSI or 3000 PSI (W.O.G.)

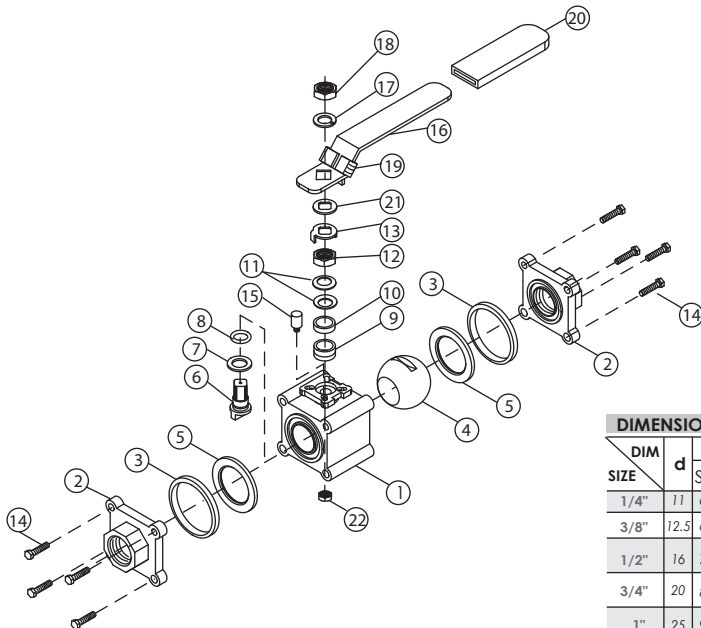
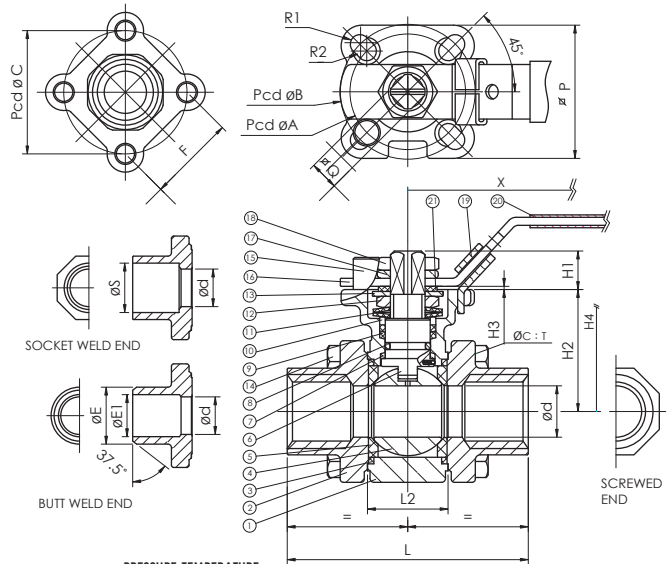
*Lug body

*Screwed end, butt weld & socket weld end.

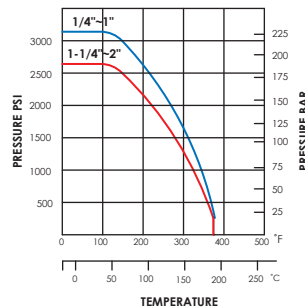
*Direct mounting pad ISO 5211

OPTION: Locking device / Standard Port,
Similar Design but with C style clip
DIN Standard M3 Length
Fire-Safe design

ITEM	PARTS	Q.TY	MATERIALS	
1	BODY	1	ASTM-A351-CF8M	ASTM-A216-WCB
2	END CAP	2	ASTM-A351-CF8M	ASTM-A216-WCB
3	JOINT GASKET	2	PTFE	PTFE
4	SOLID BALL	1	ASTM-A351-CF8M	ASTM-A351-CF8
5	BALL SEAT	2	PTFE	PTFE
6	STEM	1	AISI 316	AISI 304
7	THRUST WASHER	1	PTFE	PTFE
8	O-RING	1	VITON	VITON
9	STEM PACKING	2	PTFE	PTFE
10	STEM RING	1	AISI 304	AISI 304
11	BELLEVILLE WASHER	2	AISI 301	AISI 301
12	STEM NUT	1	AISI 304	AISI 304
13	SADDLE WASHER	1	AISI 304	AISI 304
14	HEX BOLT	8	AISI 304	AISI 304
15	STOP PIN	1	AISI 304	AISI 304
16	HANDLE	1	AISI 304	AISI 304
17	SPRING WASHER	1	AISI 304	AISI 304
18	HANDLE NUT	1	AISI 304	AISI 304
19	LOCKING DEVICE	1	AISI 304	AISI 304
20	COVER	1	PLASTIC	PLASTIC
21	SQUARE WASHER	1	AISI 304	AISI 304



PRESSURE-TEMPERATURE RATING 1/4" - 2"



DIMENSIONS		UNIT:mm																					
DIM SIZE	d	L			H1	H2	H3	H4	ISO-5211				E	E1	S	ØP	C	T	Pcd	F	X	TORQUE kgf-cm	KGS
		SD	SW	BW					Pcd	ØQ	R1	R2											
1/4"	11	65	65	70	22.7	10	34	58	F03/36	9.0	R3.0	...	18	12	14.1	37.5	6.5	M6	40	28.2	112	40	0.52
3/8"	12.5	65	65	70	22.7	10	34	58	F03/36	9.0	R3.0	...	18	14	17.6	37.5	6.5	M6	40	28.2	112	40	0.5
1/2"	16	75	75	75	24	12	38	62	F03/36 F04/42	9.0	R3	R3	22	17.1	21.7	41.5	6.5	M6	44	31.1	112	54	0.63
3/4"	20	80	80	80	28	12	43	66	F03/36 F04/42	11	R3	R3	27.5	22.5	27.1	41.5	8.4	M8	53.4	37.8	125	74	0.97
1"	25	90	90	100	34	12	50	75	F04/42 F05/50	11	R3	R3.5	33.5	28	33.8	50.4	8.4	M8	65	46	138	104	1.34
1-1/4"	32	110	110	110	44	12	55	80	F04/42 F05/50	11	R3	R3.5	44	33.5	44	50.4	10.6	M10	77	54.4	138	135	2.25
1-1/2"	38	120	120	125	53	16	65	95	F05/50 F07/70	14	R3.5	R4.5	50	43	50	66.5	10.6	M10	93	65.8	170	180	3.63
2"	50	140	140	150	65	16	75	104	F05/50 F07/70	14	R3.5	R4.5	61.5	53	61.5	66.5	10.6	M10	122	86.3	170	250	5.97