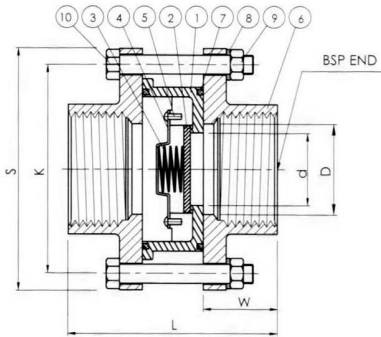
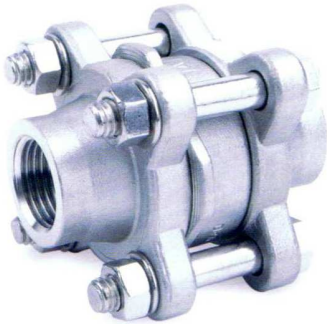
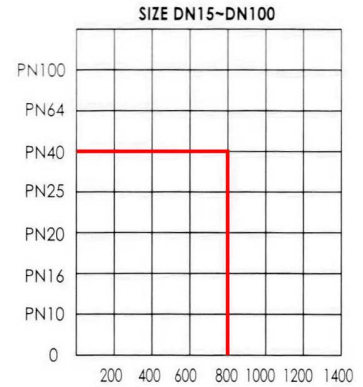


V3-WC PN40 3-PC WAFER DISC CHECK VALVE

SIZE:DN15~DN100



ITEM	PART	MATERIAL	Q.TY
1	VT-WC BODY	ASTM-A351-CF8M	1
2	DISC	ASTM-A351-CF8M	1
3	SPRING	ASTM-A351-CF8M	1
4	SPRING CAP	ASTM-A351-CF8M	1
5	SCREW	AISI 304	4
6	CAP	ASTM-A351-CF8M	2
7	JOINT GASKET	PTFE	2
8	SPRING WASHER	AISI 304	4
9	HEX NUT	AISI 304	4
10	BOLT	AISI 304	4



UNIT:MM

SIZE	DN	D	d	L	W	K	S	KGS
1/2"	15	15	15	67.5	25.4	55	71	0.65
3/4"	15	20	15	67.5	25.4	55	71	0.57
1"	20	25.4	20	75	27.8	63.5	80	0.77
1-1/4"	25	32	25	82.5	30	77	95.5	1.19
1-1/2"	32	38	30	98	35.3	87	106	1.64
2"	40	50.8	38	109	38.5	109	128	2.31
2-1/2"	65	65	62.5	140	47	136	163	5.06
3"	80	80	77	154	52.5	164	193	7.83
4"	100	100	96	195	68	206	241	15.74