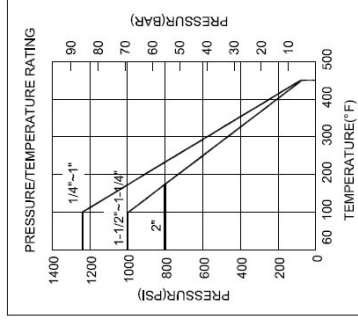
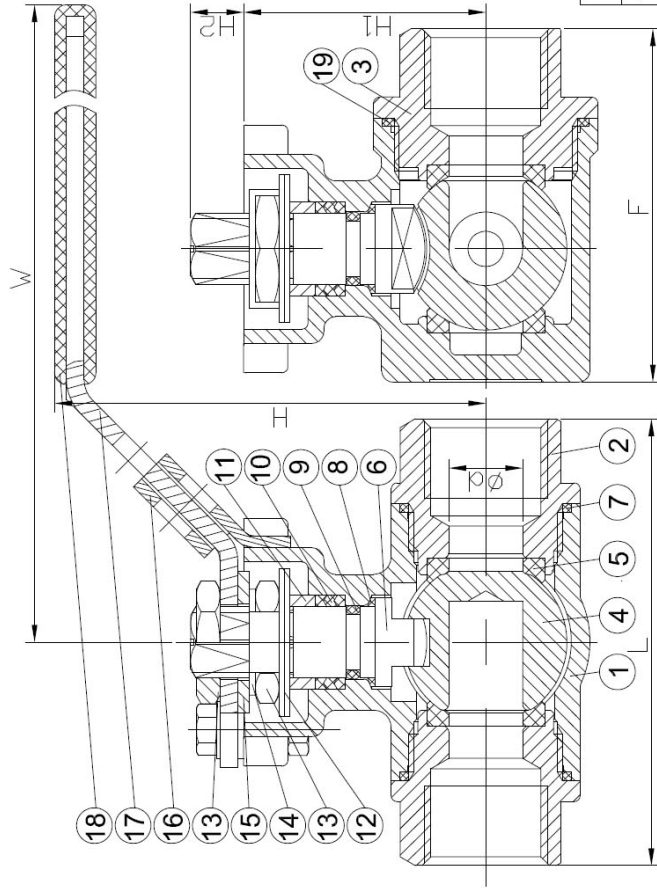
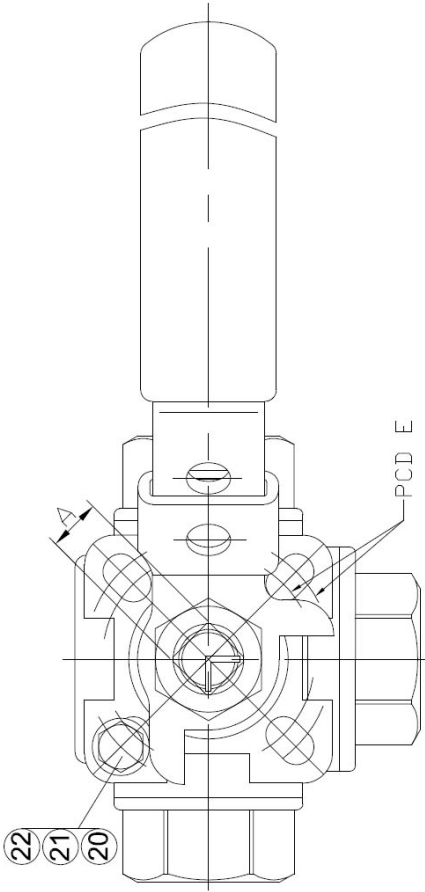


SIZE	d	L	F	H	W	E	H1	H2	A
1/4"	11.6	76	58.5	73	123.3	36/42	41	9	9
3/8"	12.5	76	58.5	73	123.3	36/42	41	9	9
1/2"	12.5	76	58.5	73	123.3	36/42	41	9	9
3/4"	16	86	72.1	74.3	123.3	36/42	44.3	9	9
1"	20	99.1	81.8	87	152	42/50	53.5	11	11
1-1/4"	25	117.4	94.7	92.7	152	42/50	59.2	11	11
1-1/2"	32	123.8	103.9	110.4	182	50/70	75.9	15	14
2"	38	148	125.5	118.6	182	50/70	84.1	15	14

FEATURES:

- PIPE THREAD IN ACCORDANCE: NPT, BSPT, DIN259, DIN2999, ISO228 CLASS A
- BLOW-OUT PROOF STEM / STANDARD PORT
- INVESTMENT CASTING BODY
- 1000PSI (PN63) W.O.G.
- WITH ISO 5211 DIRECT MOUNTING PAD
- LOCKING DEVICE
- THERE ARE FOUR SEATS
- L-PORT OR T-PORT AVAILABLE
- 360° PADLOCKING HANDLE
- MATERIAL: STAINLESS STEEL 316/A351Gr-CF8M



PORT TYPE	1	2	3	4
L	1 ⊕ 2 3	1 ⊕ 2 3	1 ⊕ 2 3	1 ⊕ 2 3
T	1 ⊕ 2 3	1 ⊕ 2 3	1 ⊕ 2 3	1 ⊕ 2 3

NO.	PART NAME	MATERIAL
1	BODY	CF8M
2	CAP-B	CF8M
3	CAP-A	CF8M
4	BALL	CF8M
5	SEAT	PTFE
6	STEM	SUS316
7	GASKET-B	PTFE
8	THRUST WASHER	15%R+PTFE
9	O-RING	VITON
10	STEM PACKING	PTFE
11	GLAND	SUS304
12	SPRING WASHER	SUS304
13	STEM UNT	SUS304
14	STOP WASHER	SUS304
15	HANDLE WASHER	SUS304
16	LOCKING DEVICE	SUS304
17	HANDLE	SUS304
18	PLASTIC COVER	PLASTIC
19	GASKET-A	PTFE
20	STOP PIN	SUS304
21	BOLT	SUS304
22	NUT	SUS304

REV. **A**

Valve-tek MFG. CO., LTD.

CHECKED	<i>Morris</i>	DATE	2006/06/22	TYPE	V-3way
DESIGNER	<i>Kevin</i>	SCALE	Scaled to Fit	DWG_NO.	VT_1000WOG/PN63_133
DRAWN	<i>Kevin</i>	DESCRIBE	3-way DIRECT MOUNT REDUCED PORT BALL VALVE		