

# V-3MH TYPE

SIZE: 1/4"~6"

**NEW**

**DIRECT MOUNTING PAD**



## STAINLESS STEEL

**AISI-316** (EN10213-4 1.4408) (ASTM-A351-CF8M)

**AISI-304** (EN10213-4 1.4308) (ASTM-A351-CF8)

## CARBON STEEL

**S-20C** (EN10213-2 1.0619) (ASTM-A216-WCB)

### FEATURES:

\*Pipe thread in accordance with ANSI B2.1, BS21 1973, DIN259/2999, ISO 228

\*lug body

\*Blow-out proof stem/Full port

\*Investment casting body and cap

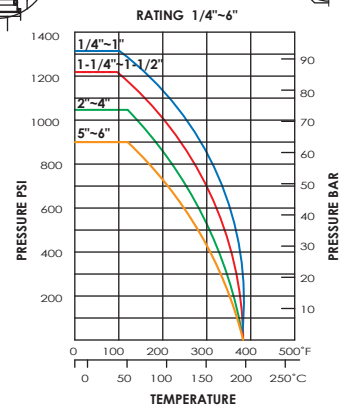
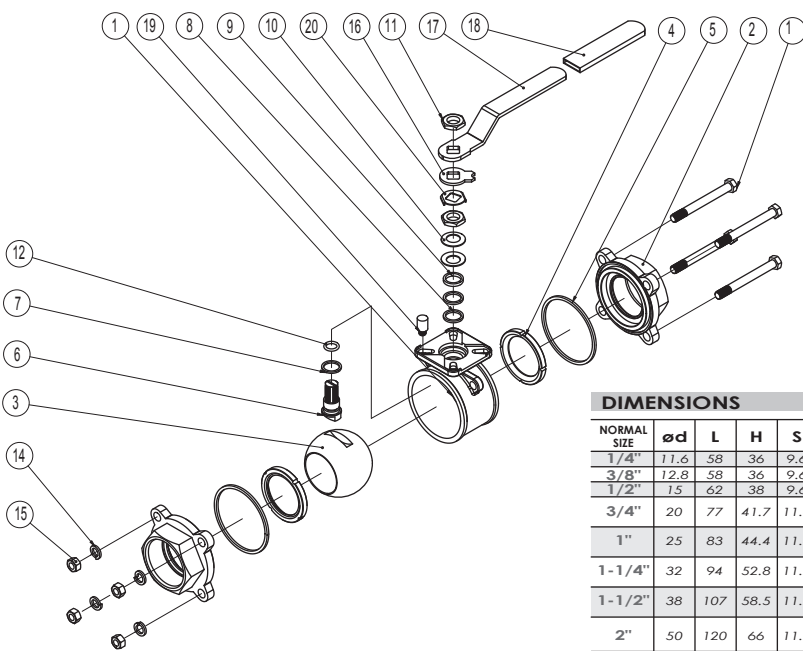
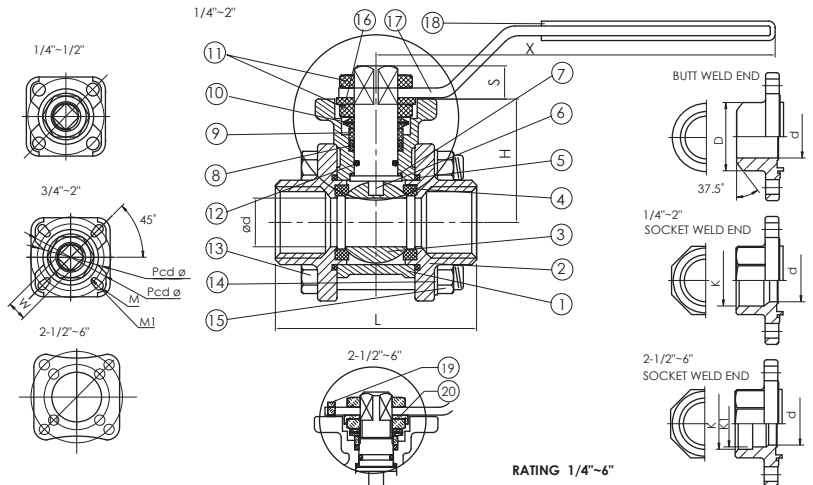
\*1000PSI (69BAR) W.O.G.

\*Direct Mounting Pad for ISO Standard 5211

\*Screwed end, butt weld end, socket weld end.

**OPTION: Similar Design but with C Style clip  
DIN Standard, M3 Length**

ITEM	PARTS	Q.TY	MATERIALS	
1	BODY	1	ASTM-A351-CF8M	ASTM-A216-WCB
2	CAP	2	ASTM-A351-CF8M	ASTM-A216-WCB
3	BALL	1	ASTM-A351-CF8M	ASTM-A351-CF8
4	BALL SEAT	2	PTFE	PTFE
5	JOINT GASKET	2	PTFE	PTFE
6	STEM	1	AISI 316	AISI 304
7	THRUST WASHER	1	PTFE	PTFE
8	STEM PACKING	2	PTFE	PTFE
9	HIGH WASHER	1	AISI 304	AISI 304
10	BELLEVILLE WASHER	2	AISI 304	AISI 304
11	STEM NUT	2	AISI 304	AISI 304
12	O-RING	1	VITON	VITON
13	BOLT	4(2-1/2"-4"X6PCS)	AISI 304	AISI 304
14	SPRING WASHER	4(2-1/2"-4"X6PCS)	AISI 304	AISI 304
15	HEX NUT	4(2-1/2"-4"X6PCS)	AISI 304	AISI 304
16	STOPPER	1	AISI 304	AISI 304
17	HANDLE	1	AISI 304	AISI 304
18	PLASTIC COVER	1	PLASTIC	PLASTIC
19	STOPPER PIN	1	AISI 304	AISI 304
20	LOCK WASHER	1	AISI 304	AISI 304



DIMENSIONS											UNIT:mm				
NORMAL SIZE	ød	L	H	S	X	ISO-5211				Cv FACTOR	TORQUE kgf-cm	D	d	K	K1
						Pcd ø	W	M	M1						
1/4"	11.6	58	36	9.6	112	F03 ø36	9	R3.0	-	6.6	45	ø18.1	ø11.6	ø14.1	
3/8"	12.8	58	36	9.6	112	F03 ø36	9	R3.0	-	7.9	45	ø18.1	ø12.7	ø17.6	
1/2"	15	62	38	9.6	112	F03 ø36	9	R3.0	-	11.2	55	ø21.7	ø15	ø21.7	
3/4"	20	77	41.7	11.6	138	F04 ø42	11	R3.5	R3.0	21	90	ø27.2	ø20	ø27.2	
						F05 ø50									
1"	25	83	44.4	11.6	138	F04 ø42	11	R3.5	R3.0	34	110	ø34	ø25	ø33.9	
						F05 ø50									
1-1/4"	32	94	52.8	11.2	205	F05 ø50	14	R4.5	R3.5	57	155	ø42.7	ø32	ø42.6	
						F07 ø70									
1-1/2"	38	107	58.5	11.2	205	F05 ø50	14	R4.5	R3.5	80	220	ø48.6	ø40	ø48.7	
						F07 ø70									
2"	50	120	66	11.2	205	F05 ø50	14	R4.5	R3.5	148	330	ø60.5	ø50	ø61.1	
						F07 ø70									
2-1/2"	65	157	101.5	18.5	330	F07 ø70	17	R5.5	ø9.0	265	400	ø76.3	ø65	ø73.8	ø70.9
						F10 ø102									
3"	80	182	112.5	18.5	330	F07 ø70	17	R5.5	ø9.0	415	660	ø93	ø80	ø89.8	ø82.5
						F10 ø102									
4"	100	213.6	127.0	18.5	330	F07 ø70	17	R5.5	ø9.0	780	900	ø114	ø100	ø115.4	ø108
						F10 ø102									
5"	12	283	158.5	47.0	500	F10 ø102	27	R7.0	ø12	1040	1200	ø139.8	ø125	ø134.7	ø127.2
						F12 ø125									
6"	150	342	175	47.0	500	F10 ø102	27	R7.0	ø12	1200	1500	ø165.2	ø150	ø161.5	ø154
						F12 ø125									