

SCREWED END / BUTT WELD END / SOCKET WELD END 3-PIECE FULL PORT BALL VALVE



V-3E TYPE

SIZE: 1/4" ~ 4"



STAINLESS STEEL

AISI-316 (EN10213-4 1.4408) (ASTM-A351-CF8M)

AISI-304 (EN10213-4 1.4308) (ASTM-A351-CF8)

CARBON STEEL

S-20C (EN10213-2 1.0619) (ASTM-A216-WCB)

FEATURES:

*Pipe thread in accordance with ANSI B2.1, BS 21 1973, DIN 259/2999, ISO 228

*Lug body

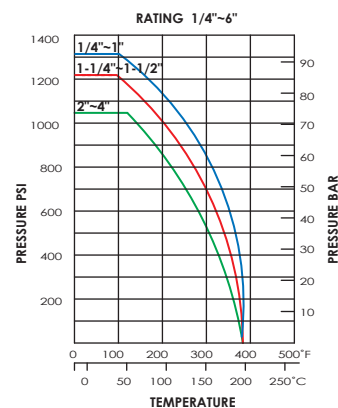
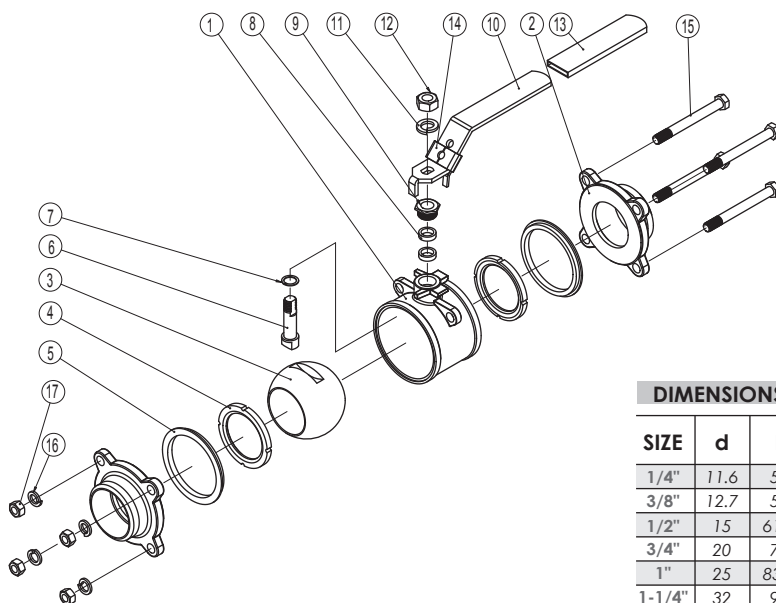
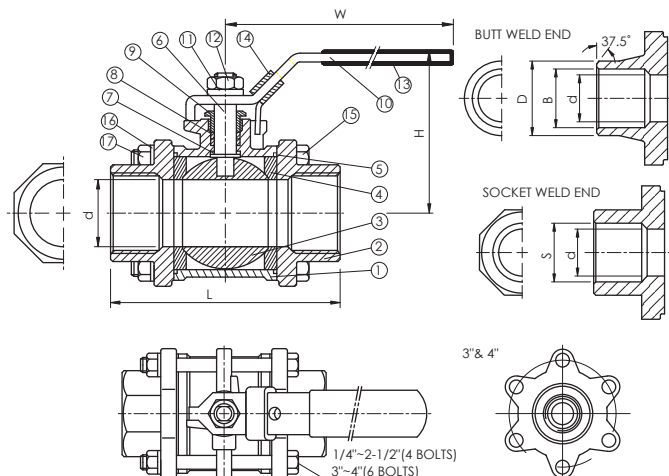
*Blow-out proof stem/Full port

*Investment casting body and cap

*1000 PSI (69 BAR) W.O.G.

OPTION: Locking device

ITEM	PARTS	Q.TY	MATERIALS	
1	BODY	1	ASTM-A351-CF8M	ASTM-A216-WCB
2	CAP	2	ASTM-A351-CF8M	ASTM-A216-WCB
3	BALL	1	ASTM-A351-CF8M	ASTM-A351-CF8
4	BALL SEAT	2	PTFE	PTFE
5	JOINT GASKET	2	PTFE	PTFE
6	STEM	1	AISI 316	AISI 304
7	THRUST WASHER	1	PTFE	PTFE
8	STEM PACKING	2	PTFE	PTFE
9	GLAND NUT	1	AISI 304	AISI 304
10	HANDLE	1	AISI 304	AISI 304
11	STEM WASHER	1	AISI 304	AISI 304
12	STEM NUT	1	AISI 304	AISI 304
13	PLASTIC COVER	1	PLASTIC	PLASTIC
14	LOCK DEVICE	1	AISI 304	AISI 304
15	BOLT	4(3".4"x6 PCS)	AISI 304	AISI 304
16	SPRING WASHER	4(3".4"x6 PCS)	AISI 304	AISI 304
17	HEX NUT	4(3".4"x6 PCS)	AISI 304	AISI 304



DIMENSIONS								UNIT:mm		
SIZE	d	L	H	W	B	D	S	Cv FACTOR	TORQUE kgf-cm	KG
1/4"	11.6	54	51	95	12	18	14.1	6.6	40	0.34
3/8"	12.7	54	51	95	12.52	18	17.6	7.9	40	0.34
1/2"	15	61.5	55	95	15.8	22	21.7	11.2	54	0.46
3/4"	20	71	58.5	110	20.93	28	27.2	21	74	0.62
1"	25	83.5	73	135	26.64	34	33.9	34	104	0.96
1-1/4"	32	97	78.5	135	35.05	44	42.6	57	135	1.49
1-1/2"	38	110.5	90.5	165	40.9	50	48.7	80	180	2
2"	50	129	99	165	52.5	61.5	61.1	148	250	3.12
2-1/2"	65	171.5	127	215	69	76	76.9	265	480	6.5
3"	80	200	136	215	82	90	89.8	415	750	10.42
4"	100	252	172	325	106	115	115.4	780	1100	20.2