

# SCREWED END 2-PIECE FULL PORT BALL VALVE



**V-2X TYPE**  
SIZE: 1/4"~3"

**NEW**

**2000 WOG**



## STAINLESS STEEL

**AISI-316** (EN10213-4 1.4408) (ASTM-A351-CF8M)

**AISI-304** (EN10213-4 1.4308) (ASTM-A351-CF8)

## CARBON STEEL

**S-20C** (EN10213-2 1.0619) (ASTM-A216-WCB)

### FEATURES:

\*Pipe thread in accordance with ANSI B2.1, BS 21 1973, DIN 259/2999, ISO 228

\*Lug body

\*Blow-out proof stem/Full port

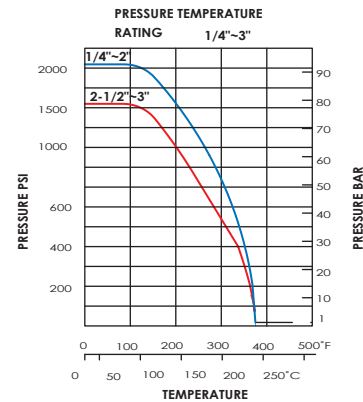
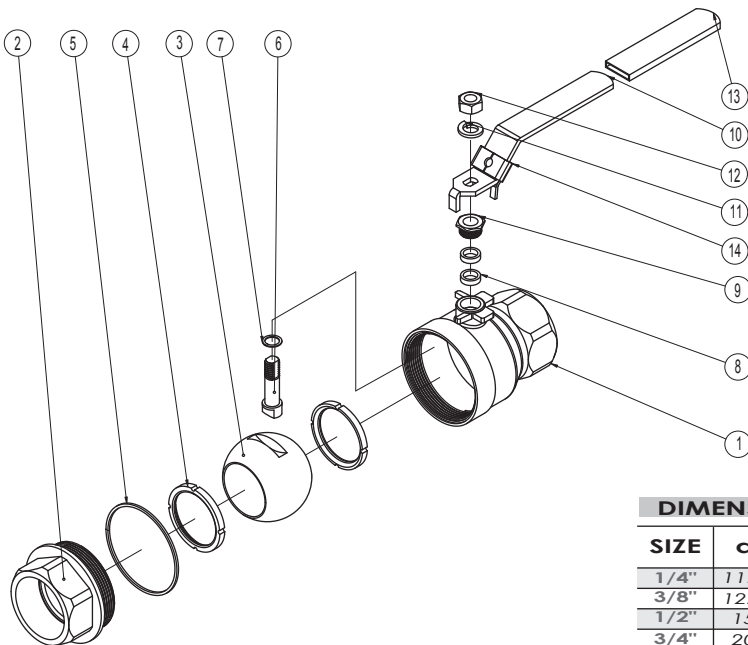
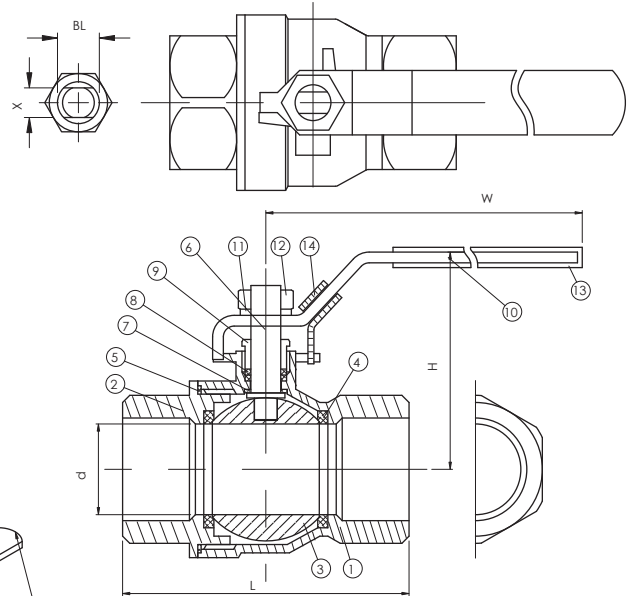
\*Investment casting body and cap

\*2000 PSI (138 BAR) W.O.G.(1/4"~2")

1500 PSI (103 BAR) W.O.G.(2-1/2"~3")

OPTION: Locking device  
M3 Length

ITEM	PARTS	Q.TY	MATERIALS	
1	BODY	1	ASTM-A351-CF8M	ASTM-A216-WCB
2	CAP	1	ASTM-A351-CF8M	ASTM-A216-WCB
3	BALL	1	ASTM-A351-CF8M	ASTM-A351-CF8
4	BALL SEAT	2	PTFE	PTFE
5	JOINT GASKET	1	PTFE	PTFE
6	STEM	1	AISI 316	AISI 304
7	THRUST WASHER	1	PTFE	PTFE
8	STEM PACKING	2	PTFE	PTFE
9	GLAND NUT	1	AISI 304	AISI 304
10	HANDLE	1	AISI 304	AISI 304
11	SPRING WASHER	1	AISI 304	AISI 304
12	STEM NUT	1	AISI 304	AISI 304
13	PLASTIC COVER	1	PLASTIC	PLASTIC
14	LOCK DEVICE	1	AISI 304	AISI 304



DIMENSIONS							UNIT:mm	
SIZE	d	L	H	W	X	BL	Cv FACTOR	TORQUE kgf-cm
1/4"	11.6	44.5	51	95	5	5/16"	6.6	40
3/8"	12.7	44.5	51	95	5	5/16"	7.9	40
1/2"	15	57	53	95	5	5/16"	11.2	54
3/4"	20	65	59.5	110	6.5	3/8"	21	74
1"	25	76	73	135	8	7/16"	35	104
1-1/4"	32	87.5	79	135	8	7/16"	57	135
1-1/2"	38	102	90.5	165	9	1/2"	80	180
2"	50	123	98.5	165	9	1/2"	148	250
2-1/2"	65	156	130.5	215	12	3/4"	265	480
3"	80	184	142.5	215	12	3/4"	415	750