

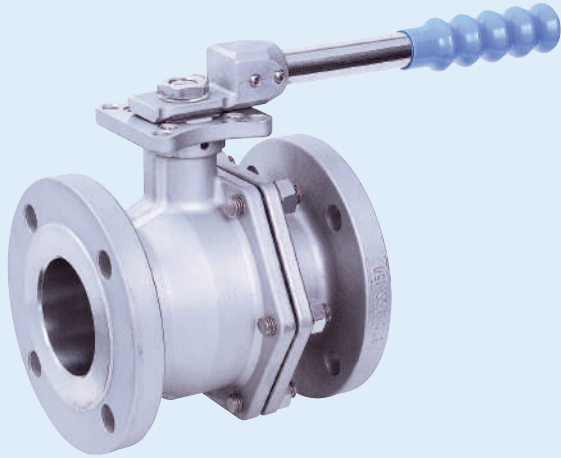
FLANGED END 2-PIECE FULL PORT BALL VALVE



V2FH- 150L
300L
SIZE: 1/2"~4"

NEW

DIRECT MOUNTING PAD



**ANSI CLASS 150, ANSI CLASS 300
STAINLESS STEEL**

AISI-316 (EN10213-4 1.4408) (ASTM-A351-CF8M)

AISI-304 (EN10213-4 1.4308) (ASTM-A351-CF8)

CARBON STEEL

S-20C (EN10213-2 1.0619) (ASTM-A216-WCB)

FEATURES:

*Direct Mounting Pad ISO 5211

*Flange: ANSI B16.5 class 150

*Face to face: ANSI B16.10

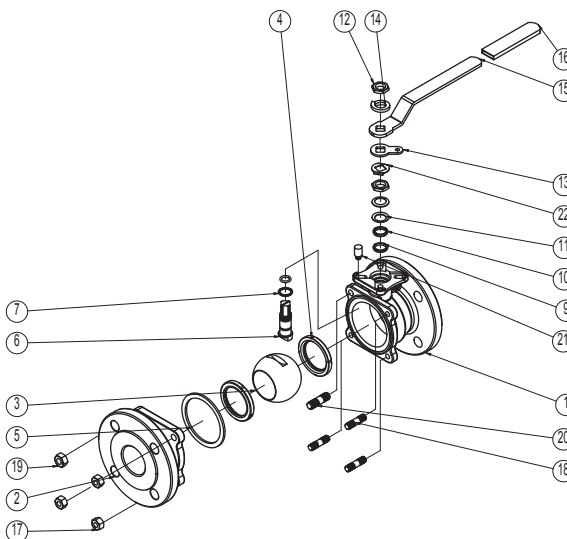
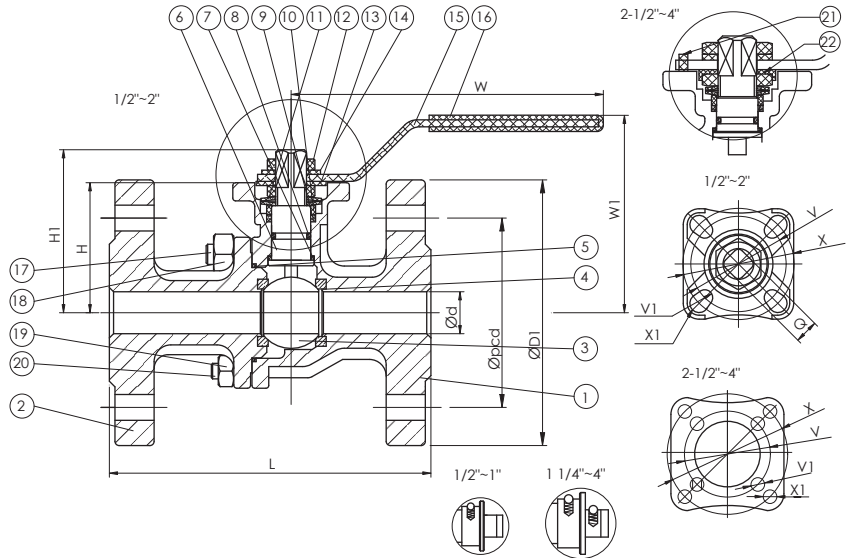
*Anti-static device, fire safe design

*Blow-out proof stem, lever operated

*Full port, solid ball / hollow ball

OPTION: Mounting Pad

ITEM	PART	Q'TY	MATERIALS	
1	BODY	1	ASTM-A351-CF8M	ASTM-A216-CF8M
2	CAP	1	ASTM-A351-CF8M	ASTM-A216-CF8M
3	BALL	1	ASTM-A351-CF8M	ASTM-A351-CF8
4	BALL SEAT	2	PTFE	PTFE
5	JOINT GASKET	1	PTFE	PTFE
6	STEM	1	AISI 316	AISI 304
7	THRUST WASHER	1	PTFE	PTFE
8	O-RING	1	VITON	VITON
9	STEM PACKING	1	PTFE	PTFE
10	STEM RING	1	AISI 304	AISI 304
11	BELLEVILLE WASHER	2	AISI 304	AISI 304
12	STEM NUT	2	AISI 304	AISI 304
13	STOPPER	1	AISI 304	AISI 304
14	SPRING WASHER	1	AISI 304	AISI 304
15	HANDLE	1	AISI 304	AISI 304
16	PLASTIC COVER	1	PLASTIC	PLASTIC
17	NUT*1	1	AISI 304	AISI 304
18	STUD BOLT*1	1	AISI 304	AISI 304
19	NUT*2	3,5,7	AISI 304	AISI 304
20	STUD BOLT*2	3,5,7	AISI 304	AISI 304
21	STOPPER PIN	1	AISI 304	AISI 304
22	LOCK WASHER	1	AISI 304	AISI 304



DIMENSIONS 150L UNIT: mm

NOMINAL SIZE	Ød	ØD1	ØPcd	L	H	H1	W	Q	V	V1	X	X1	W1	Torque Nm
1/2"	15	89	60.5	108	46.5	56	110	9.0	42	6.0			89	4-5
3/4"	20	98	70	117	51.5	61	110	9.0	42	R3.0	50	R3.5	94	6-8
1"	25	108	79.5	127	57.5	67	136	11	42	R3.0	50	R3.5	95	8-10
1-1/2"	40	127	98.5	165	76.5	92	203	14	50	R3.5	70	R4.5	110.7	18-20
2"	50	152.4	120.5	178	83.5	99	203	14	50	R3.5	70	R4.5	117.7	25-30
2-1/2"	65	178	139.5	190	118.5	137	277.5	17	70	R4.5	102	R5.5	155.5	32-36
3"	80	190.5	152.5	203	129.5	148	277.5	17	70	R4.5	102	R5.5	166.5	50-60
4"	100	229	190.5	230	145	163.5	377.5	17	70	R4.5	102	R5.5	182	85-95

DIMENSIONS 300L UNIT: mm

NOMINAL SIZE	Ød	ØD	ØPcd	L	L1	ØM	H	H1	W	Q	V	V1	X	X1	W1	Torque Nm
1/2"	15	95	66.5	140	14.3	16x4	46.5	56	110	9.0	42	7.0			89	4-5
3/4"	20	117	82.5	152	15.9	19x4	51.5	61	110	9.0	42	R3.0	50	R3.5	94	6-8
1"	25	124	89	165	17.5	19x4	57.5	67	136	11	42	R3.0	50	R3.5	95	8-10
1-1/2"	40	156	114.5	190	20.7	22x4	76.5	92	203	14	50	R3.5	70	R4.5	110.7	18-20
2"	50	165	127	216	22.3	19x8	83.5	99	203	14	50	R3.5	70	R4.5	117.7	25-30
2-1/2"	65	190	149	241	25.4	22x8	118.5	137	277.5	17	70	9.0	102	11	155.5	32-36
3"	80	210	168	283	28.6	22x8	129.5	148	277.5	17	70	9.0	102	11	166.5	50-60
4"	100	254	200	305	31.6	22x8	145	163.5	377.5	17	70	9.0	102	11	182	85-95

