

FLANGED END 2-PIECE FULL PORT BALL VALVE



V-2F TYPE 150LBS SIZE: 1/2" ~ 12"

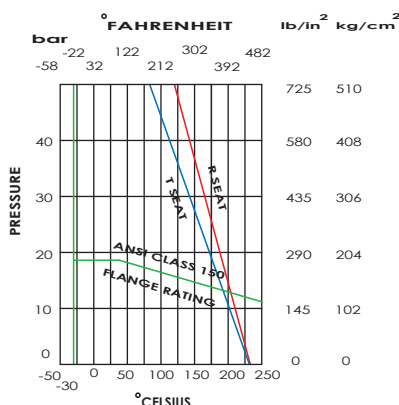
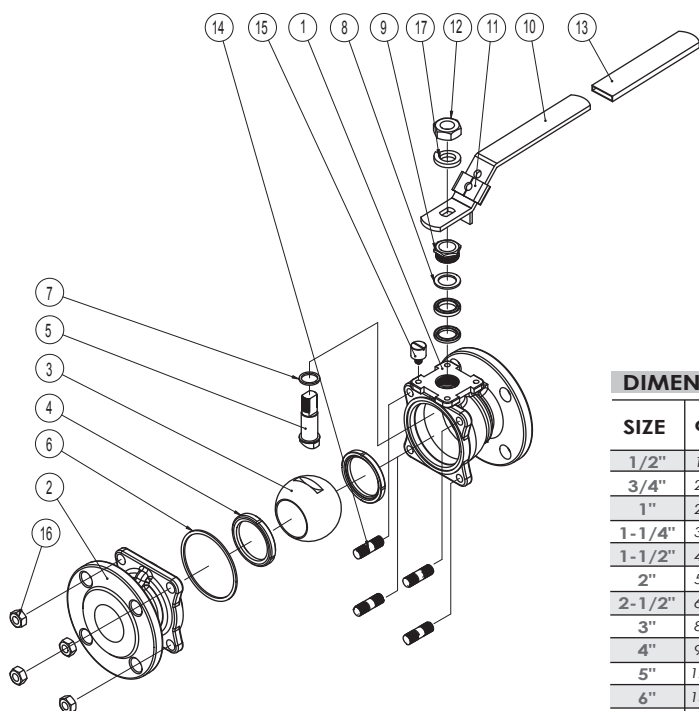
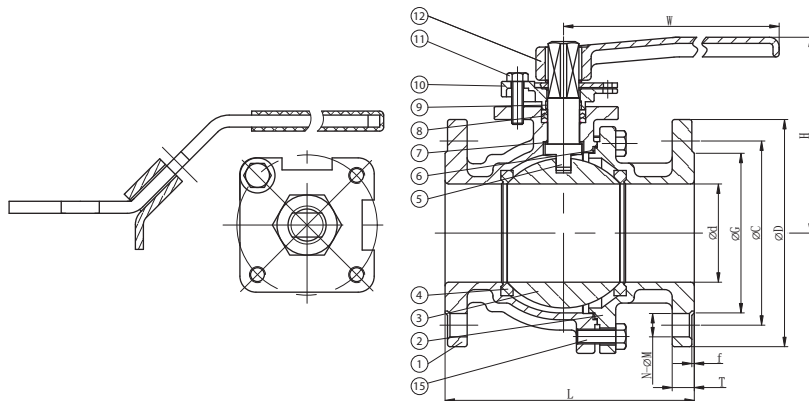


**ANSI CLASS 150
STAINLESS STEEL**
AISI-316 (EN10213-4 1.4408) (ASTM-A351-CF8M)
AISI-304 (EN10213-4 1.4308) (ASTM-A351-CF8)
CARBON STEEL
S-20C (EN10213-2 1.0619) (ASTM-A216-WCB)

- FEATURES:**
- *Flange: ANSI B16.5 class 150
 - *Face to face: ANSI B16.10
 - *Mounting Pad for ISO 5211
 - *Anti-static device, fire safe design
 - *Blow-out proof stem, lever operated
 - *Full port

**OPTION: Solid ball / Hollow ball
Wrench handle
Locking device**

NO	PART NAME	MATERIALS			
1	BODY	FC20	WCB	CF8	CF8M
2	CAP	FC20	WCB	CF8	CF8M
3	BALL	CF8	SCS13	CF8	CF8M
4	SEAT	PTFE			
5	STEM	SS304	SS304	SS316	SS304
6	GASKET	PTFE			
7	THRUST WASHER	PTFE			
8	PACKING	PTFE			
9	STEM PACKING	PTFE			
10	GLAND	SCS13			
11	GLAND BOLT	ASTM 194-B8			
12	HANDLE	FC / WCB / SS304			
13	STOPPER	SS304			
14	SNAP RING	SS304			
15	BOLT	ASTM 194-B8			



DIMENSIONS UNIT:mm

SIZE	d	D	C	G	f	T		N	M	L	H	J	K	Ma	W	ISO-5211	Nm
						FC	SUS										
1/2"	15	89	60.5	35	1.6	11.1	11.1	4	16	108	85	50	42	M5	160	F04	5.5
3/4"	20	98	70	43	1.6	12.7	11.1	4	16	117	90	50	42	M5	160	F04	9
1"	25	108	79.5	51	1.6	14.3	11.1	4	16	127	100	50	42	M5	160	F04	11
1-1/4"	32	117	89	64	1.6	14.9	12.7	4	16	140	105	50	50	M6	160	F05	15
1-1/2"	40	127	98.5	73	1.6	17.5	14.3	4	16	165	110	62	70	M8	206	F07	20
2"	50	152	120.5	92	1.6	19.1	15.9	4	19	178	120	62	70	M8	206	F07	29
2-1/2"	65	178	139.5	105	1.6	22.3	17.5	4	19	190	160	75	70	M8	324	F07	50
3"	80	190	152.5	127	1.6	23.9	19.1	4	19	203	170	75	102	M10	324	F10	77
4"	98	229	190.5	157	1.6	23.9	23.9	8	19	229	185	75	102	M10	324	F10	110
5"	125	254	216	186	1.6	23.9	23.9	8	22	356	260	89	125	M12	650	F12	150
6"	150	279	241.5	216	1.6	25.4	25.4	8	22	394	280	89	125	M12	650	F12	180
8"	198	343	298.5	270	1.6	28.6	28.6	8	22	457	340	100	125	M12	850	F12	240
10"	250	406	362	324	1.6	30.2	30.2	12	25	533	400	100	140	M16	1000	F14	330
12"	300	483	432	381	1.6	31.8	31.8	12	25	610	GEAR	100	140	M16	1000	F14	
14"	350	533	476.5	413	1.6	35	35	12	25	686	GEAR	100	140	M16	1000	F14	