

SINGLE WINDOW SIGHT GLASS SW 12

DESCRIPTION

For monitoring the right operation of a steam trap to avoid leakage of live steam and consequently big energy losses, a sight glass is recommended to be installed downstream of the steam trap.

Single window SW sight glass, has been designed for this particular application.

Connections are female screwed.

USE: Condensate pipes downstream steam traps.

AVAILABLE MODELS: SW 12 - 5 mm thick glass

SIZES: DN 1/2", 3/4" and DN 1"

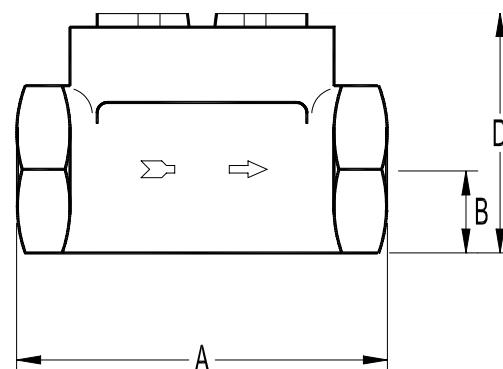
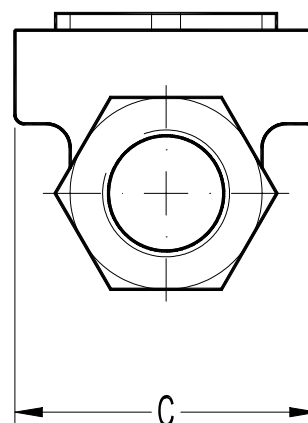
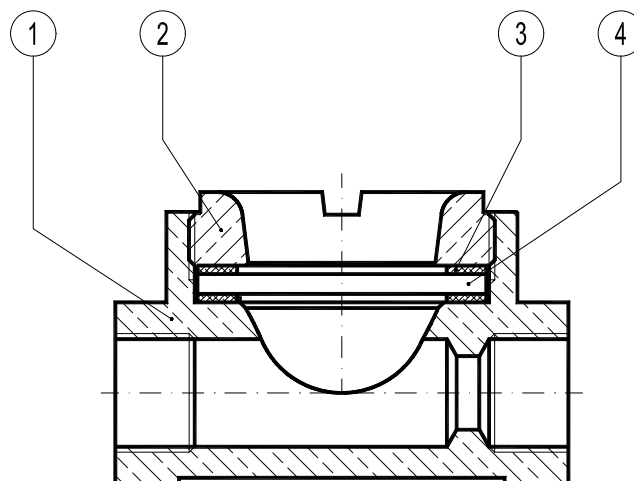
CONNECTIONS: Female screwed ISO 7/1Rp(BS21).

INSTALLATION: Horizontal or vertical installation.
See IMI, installation and maintenance instructions.

PMO – Max.operating pressure 12 bar

TMO – Max.operating temperature 150 °C

How to order: i.e. SW12 DN 1/2" BSP.



| DIMENSIONS (mm) | | | | | |
|-----------------|----|----|----|----|----------|
| SIZE DN | A | B | C | D | WGT. Kgs |
| 1/2" | 80 | 16 | 62 | 52 | 0,6 |
| 3/4" | 88 | 19 | 62 | 57 | 0,9 |
| 1" | 88 | 23 | 62 | 60 | 0,85 |

| MATERIALS | | |
|-----------|----------------|---------------------------|
| POS.Nr. | DESIGNATION | MATERIAL |
| 1 | Body | Brass EN12165 / CuZn39Pb2 |
| 2 | Glass nut | Brass EN12165 / CuZn39Pb2 |
| 3 | * Gasket | St.Steel / Graphite |
| 4 | * Window glass | Borosilicate |

*Available spare parts.