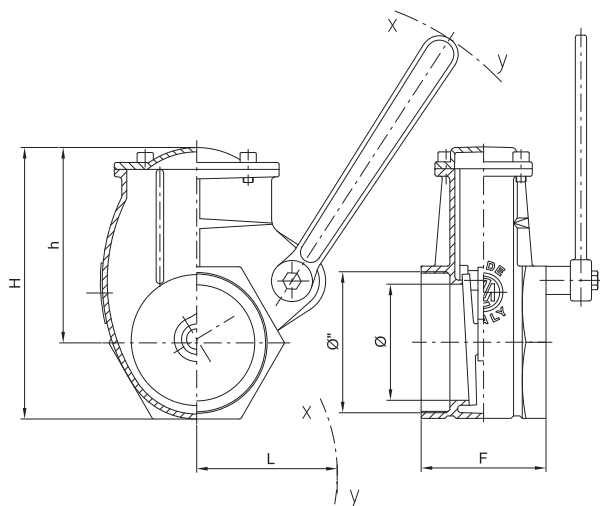


# art. 0030 GAS

*lever gate valve*



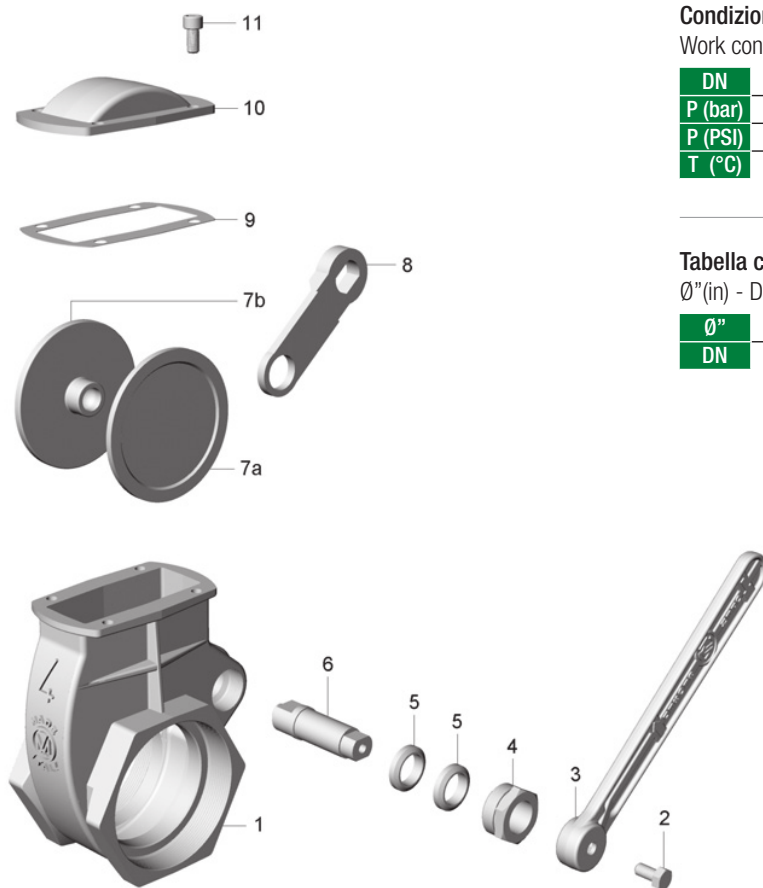
Art.0030 / Item 0030  
Thread: BSP parallel UNI EN ISO 228/1



Ø"	2"	2"1/2	3"	4"	6"
Ø	48	63	75	93	145
H	117	147	170	218	320
h	81	104	121	157	232
L	265	280	319	385	452
F	80	86	90	100	102
gr~	1.950	2.450	3.800	6.300	10.650

## BSP thread

Lever gate valve 2"	ARZO 0030 050 000	
Lever gate valve 2"1/2	ARZO 0030 070 000	
Lever gate valve 3"	ARZO 0030 080 000	
Lever gate valve 4"	ARZO 0030 100 000	
Lever gate valve 6"	ARZO 0030 150 000	



**Condizioni di esercizio**

Work conditions

DN	2" ÷ 6"
P (bar)	6
P (PSI)	90
T (°C)	-15 +80

**Tabella conversione Ø"(in) - DN (mm)**

Ø"(in) - DN (mm) conversion table

Ø"	2"	2"1/2	3"	4"	6"
DN	050	070	080	100	150

1	FOZO 0030 (DN) 001	BODY Ø"... GAS	UNI EN 1982 BRASS
2	VTAC 0030 050 008	SCREW TE M6×12 (2"- 2"1/2)	ZINC-PLATED STEEL
2	VTAC 0030 100 008	SCREW TE M8×16 (3"- 4"- 6")	ZINC-PLATED STEEL
3	FOZO 0030 050 012	HANDLE 2" - 2"1/2	UNI EN 1982 BRASS
3	FOZO 0030 080 012	HANDLE 3"	UNI EN 1982 BRASS
3	FOZO 0030 100 012	HANDLE 4"	UNI EN 1982 BRASS
3	FOZO 0030 150 012	HANDLE 6"	UNI EN 1982 BRASS
4	TOZO 0030 050 007	NUT 3/4" (2"- 2"1/2)	UNI EN 12164 BRASS
4	TOZO 0040 100 007	NUT M30×2 (3")	UNI EN 12164 BRASS
4	TOZO 0030 100 007	NUT Ø35 f19 (4"- 6")	UNI EN 12164 BRASS
5	SPZO 0030 050 006	GASKET Ø23 × 16 × 7 (2"- 2"1/2)	POLYMER
5	SPZO 0040 100 006	GASKET Ø27 × 20 × 8 (3")	POLYMER
5	SPZO 0030 100 006	GASKET Ø32 × 22,5 × 8 (4"- 6")	POLYMER
6	TOZO 0030 050 010	PIN 2" - 2"1/2	UNI EN 12164 BRASS
6	TOZO 0030 080 010	PIN 3"	UNI EN 12164 BRASS
6	TOZO 0030 100 010	PIN 4"	UNI EN 12164 BRASS
6	TAZO 0030 150 10A	PIN 6"	AISI 306 STAINLESS STEEL
7a	SOZO 0030 (DN) 02A	MALE DISC Ø...	UNI EN 12165 BRASS
7b	SOZO 0030 (DN) 02B	FEMALE DISC Ø...	UNI EN 12165 BRASS
8	SOZO 0030 (DN) 003	INNER LEVER Ø...	UNI EN 12165 BRASS
9	GGUA 0030 (DN) 004	GASKET Ø...	GUAMOTOR
10	SOZO 0030 (DN) 005	HEAD Ø...	UNI EN 12165 BRASS
10	FOZO 0030 150 005	HEAD 6"	UNI EN 1982 BRASS
11	VTAC 1090 006 009	SCREW TCEI M6×12 (2"- 2"1/2)	ZINC-PLATED STEEL
11	VTAC 0020 100 009	SCREW TCEI M8×16 (3"- 4"- 6")	AISI 304 STAINLESS STEEL