

## SIGHT CHECKER SCK

### DESCRIPTION

Being installed after the steam trap, the sight checker is a device to be used for visually checking the conditions and leakage of steam traps.

SCK sight checker functions as both sight glass and check valve.

Connections are female screwed.

USE: Condensate pipes downstream steam traps.

### AVAILABLE MODELS:

SCK

SIZES: 1/2", 3/4" and DN 1"

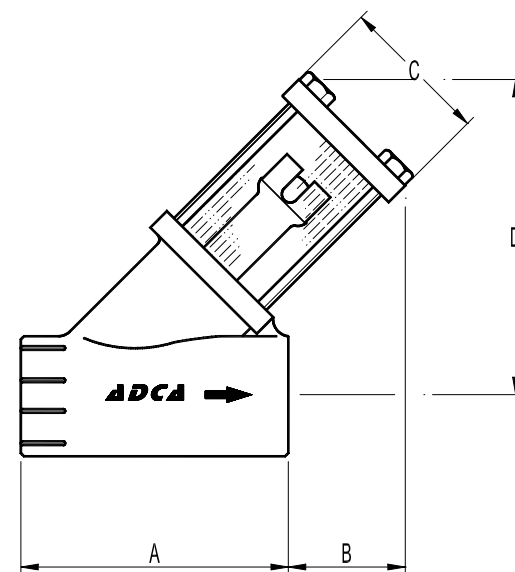
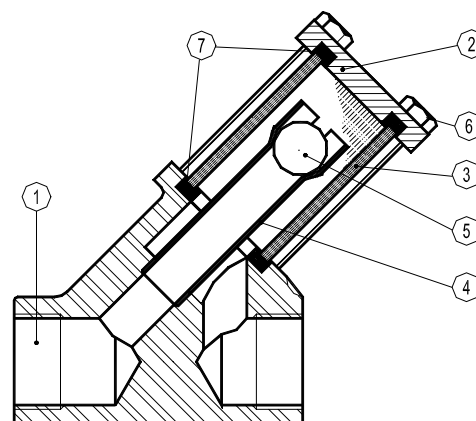
CONNECTIONS: Female screwed ISO 7/1Rp(BS21).

INSTALLATION: Horizontal or vertical (bottom to top) installation.

See IMI, installation and maintenance instructions.

CAUTION: SCK should be fitted at least 1m from the trap to protect the glass from thermal pressure or shock.

PMO – Max. operating pressure 10 bar  
TMO – Max. operating temperature 150 °C  
How to order: i.e. SCK DN 1/2" BSP.



### DIMENSIONS (mm)

SIZE DN	A	B	C	D	WGT. Kgs
1/2"	80	36	45	95	0,9
3/4"	80	36	45	95	0,9
1"	90	40	56	110	1,3

### MATERIALS

POS.Nr.	DESIGNATION	MATERIAL
1	Body	Bronze B62 / ASTM B148-97
2	Cover	Brass EN12165 / CuZn39Pb2
3	* Sight tube	Borosilicate glass
4	Discharge tube	Copper
5	Ball check	Stainless steel
6	Bolts	Seel 8.8
7	* Gasket	Graphite

\*Available spare parts.