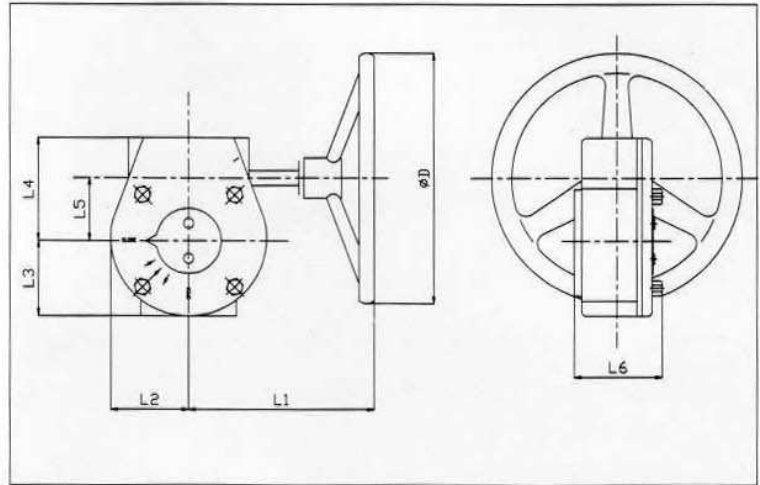


ACTUATOR GEAR

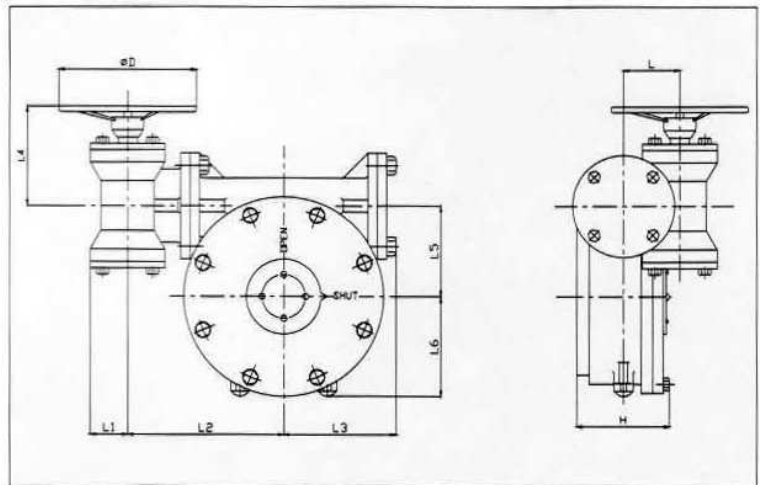
LEVEL GEAR OPERATOR



Overall dimension and weight of Gear Operators

Type	Size	L1	L2	L3	L4	L5	L6	ϕD	Weight(kg)
3D-15	DN50~DN150	152.5	52	52	74	45	75	150	5.2
3D-50	DN200~DN250	250	75	75	101	62.75	86	300	13
3D-120	DN300~DN350	227	81	81	118	80	83	300	15

SECOND-STAGE GEAR OPERATOR



Overall dimension and weight of second-stage Gear Operators

Type	Size	L1	L2	L3	L4	L5	L6	L	H	ϕD	Weight(kg)
3D-30/250	DN400~DN500	56.5	178.5	121	174	104	115	66	125.5	300	56.9
3D-30/400	DN600	56.5	197.5	142	174	130	144	66	145.5	300	72.37