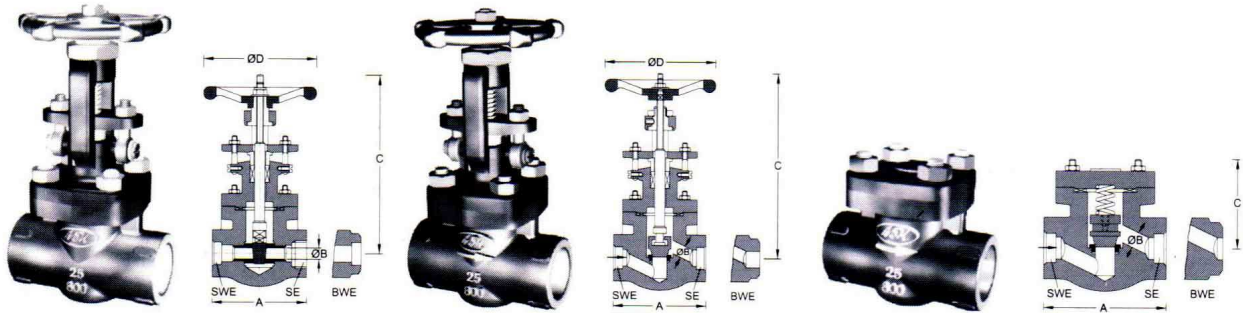


FORGED STEEL GATE, GLOBE & CHECK VALVES Class - 800-1500



Features :

These compact OS & Y type, bolted bonnet, rising stem, with renewable seating Valves, Check Valve spring loaded disc resulting with most advanced design Features provide the ultimate in dependable, economical flow control

D4ESIGN STD : API-602, BS:5352 FOR GATE VALVES
: BS:5352 FOR GLOBE & CHECK VALVES

TESTING STD : API-598, BS:6755 (Part 1)

Test Pressure in bar			
Class		800	1500
Hyd. Shell		207	383
	Seat /Back Seat	152	281
Air Seat		6.9	

Dimensions are in mm

Size

Class - 800

mm	A		B		CG		CL		CC		D		GATE Wt 1)		GLOBE Wt 1)		CHECK Wt 1)	
	SB	RB	SB	RB	Open	Open	Open	Open	SB	RB	SB	RB	SB	RB	SB	RB	SB	RB
8	88	88	6.4	6.4	162	162	170	170	54	54	110	110	2.65	2.40	2.80	2.60	2.03	1.70
10	88	88	9.5	6.4	162	162	170	170	54	54	110	110	2.65	2.40	2.80	2.60	2.03	1.62
20	106	92	18.0	12.7	195	176	194	185	72	66	110	110	3.45	2.65	3.65	2.80	2.67	2.03
25	128	106	24.0	18.0	271	195	283	194	102	72	170	110	8.00	3.45	8.35	3.65	6.20	2.67
40	140	128	36.0	30.0	278	271	292	283	108	102	170	170	10.00	8.00	10.60	8.35	8.90	6.20
50	-	140	-	36.0	-	278	-	292	-	108	-	170	-	10.00	-	10.60	-	8.90

SB = Standard bore RB = Reduced bore

Size

Class - 1500

mm	A	B	CG Open	CL Open	CC	D	GATE Wt 1)	GLOBE Wt 1)	CHECK Wt 1)
20	106	15.0	207	226	72	110	4.00	4.20	2.95
25	128	19.5	234	254	102	170	9.80	10.30	6.75
40	140	32.0	277	296	112	170	13.60	14.25	9.60

Materials

Body, Bonnet, Gland flange & Cover	ASTM A 105 / ASTM A 182 Gr. F22, F304 & F316.
Wedge / Plug	ASTM A 217 Gr. CA 15 / ASTM A 351 Gr. CF8 OR CF8M.
Disc / Seat Ring / Stem & Gland	ASTM A 276 TYPE 410 / ASTM A 276 TYPE 304 / 316.
Yoke Sleeve	Ni - Resist ASTM A 439 Gr. D2.
Packing	Graphited Asbestos with inconnel wire or Grafoil.
Gasket	Spiral Wound 304 / 316 with CAF or Graphite filled/ corrugated.
Spring	ASTM A 276 TYPE 316
Stud / Nut	ASTM A 276 TYPE 304 or ASTM A 193 Gr. B7 / ASTM A 194 Gr. 2H.
Hand Wheel	IS : 2108 Gr. B / ASTM A 105.
Surface Protection for Carbon Steel Valves	Prime Coat : Chlorine free with modified alkyd resin unobjectionable in physiological and toxicological respects. Additional external coating : Silver Streak aluminium paint.

1) Nett in Kg. approx. (without obligation) ■ Please Specify Working pressure, Temperature & Service conditions. ■ Welded flanged end Valves, available on requests. ■ Stellite seating & Wedge / Plug / Disc standard for Class 1500 Valves & available on requests for Class 800 Valves ■ Standard Screwed ends to have BS:21 (Parallel or Taper) or ANSI/ASME B 1.20.1 (NPT) threads. Socket weld ends as per ASME B 16.11 & Butt Weld ends as per ASME B 16.25 suitable for schedule 40, 80 & 160. ■ Class 2500 Globe Valves Y-pattern available on requests. ■ Other Materials not mentioned above available on requests.