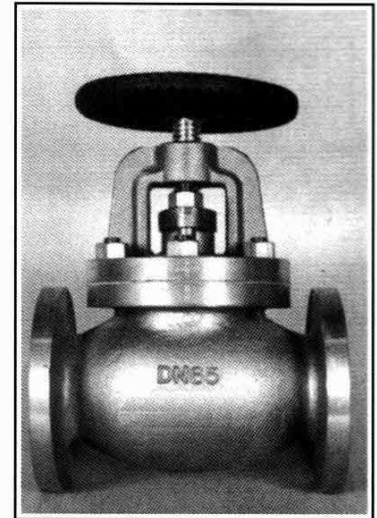
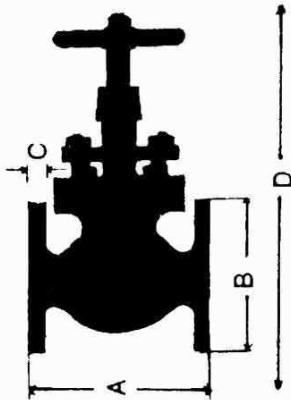


# BRONZE GLOBE VALVE



## Fig 3064 STOP VALVE

<b>Connections</b>	:	Flanged BS10 table - H Undrilled
<b>Body &amp; Cover</b>	:	Bronze to BS 1400 LG2 - C
<b>Valve &amp; Seat</b>	:	Renewable 410 Stainless steel
<b>Stem</b>	:	Bronze to BS 2874 CZ132
<b>Rating</b>	:	1724 Kpa at 208 C Saturated Steam
	:	3447 Kpa at 38 C Water, Oil or Gas
<b>Construction</b>	:	Rising Spindle, OS & Y, Bolted Cover
<b>Services</b>	:	High Pressure Boiler & Steam Services
<b>Manufacturing Standard</b>	:	BS5154 - 1991

<b>Size</b>	20	25	32	40	50	65	80	100	125	150
<b>A</b>	130	145.5	165	193	216	254	280	330	381	432
<b>B</b>	114	121	133	140	165	184	203	228	279	305
<b>C</b>	12	14	17	17	19	19	22	25	28	28
<b>D</b>	118	210	222	241	300	305	330	413	476	521
<b>Wt</b>	6	8	10	13	22	30	37	61	100	122
<b>Kgs</b>										

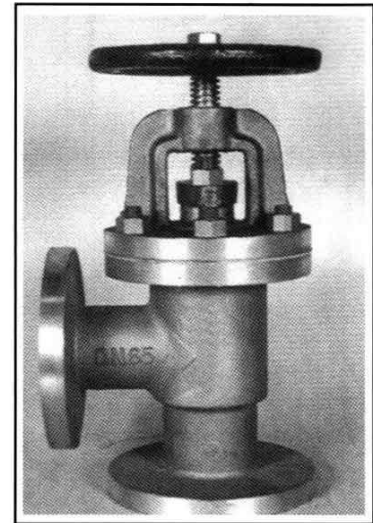
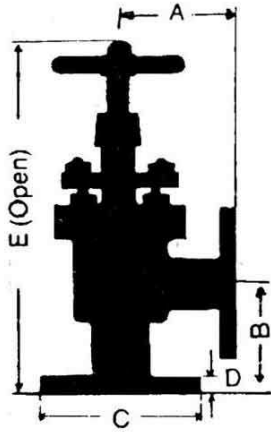
## Fig 3176 SCREW DOWN NON-RETURN VALVE

<b>Connections</b>	:	Flanged BS10 table - H Undrilled
<b>Body &amp; Cover</b>	:	Bronze to BS 1400 LG2 - C
<b>Valve &amp; Seat</b>	:	Renewable 410 Stainless steel
<b>Stem</b>	:	Bronze to BS 2874 CZ132
<b>Rating</b>	:	1724 Kpa at 208 C Saturated Steam
	:	3447 Kpa at 38 C Water, Oil or Gas
<b>Construction</b>	:	Rising Spindle, OS & Y, Bolted Cover
<b>Services</b>	:	High Pressure Boiler & Steam Services
<b>Manufacturing Standard</b>	:	BS5154 - 1991

<b>Size</b>	20	25	32	40	50	65	80	100	125	150
<b>A</b>	130	145.5	165	193	216	254	280	330	381	432
<b>B</b>	114	121	133	140	165	184	203	228	279	305
<b>C</b>	12	14	17	17	19	19	22	25	28	28
<b>D</b>	218	210	222	241	300	305	330	413	476	521
<b>Wt</b>	6	8	10	13	22	30	37	61	100	122
<b>Kgs</b>										

**\*\*Flanges can be supplied drilled to your specifications. Complete range of spares available.  
Valve when wide open can be re-packed under pressure.**

# BRONZE ANGLE GLOBE VALVE



## Fig 3066 ANGLE STOP VALVE

<b>Connections</b>	:	Flanged BS10 table - H Undrilled
<b>Body &amp; Cover</b>	:	Bronze to BS 1400 LG2 - C
<b>Valve &amp; Seat</b>	:	Renewable 410 Stainless steel
<b>Stem</b>	:	Bronze to BS 2874 CZ132
<b>Rating</b>	:	1724 Kpa at 208 C Saturated Steam
	:	3447 Kpa at 38 C Water, Oil or Gas
<b>Construction</b>	:	Rising Spindle, OS & Y, Bolted Cover
<b>Services</b>	:	High Pressure Boiler & Steam Services
<b>Manufacturing Standard</b>	:	BS5154 - 1991

<b>Size</b>	<b>20</b>	<b>25</b>	<b>32</b>	<b>40</b>	<b>50</b>	<b>65</b>	<b>80</b>	<b>100</b>	<b>125</b>
<b>A</b>	89	89	105	105	123	136	142	170	192
<b>B</b>	89	89	105	105	118	133	128	160	194
<b>C</b>	114	121	133	140	165	184	203	228	279
<b>D</b>	12	14	17	17	19	19	22	25	28
<b>E</b>	290	290	305	343	406	432	451	572	596
<b>Wt</b>	9	9	13	13	20	28	36	58	100
<b>Kgs</b>									

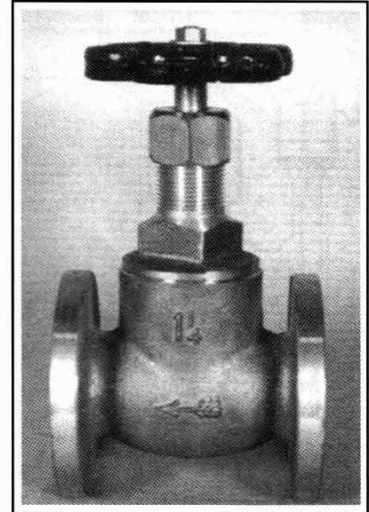
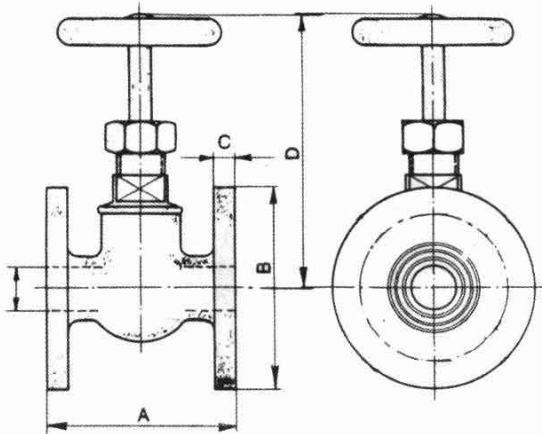
## Fig 3183 SCREW DOWN NON-RETURN VALVE

<b>Connections</b>	:	Flanged BS10 table - H Undrilled
<b>Body &amp; Cover</b>	:	Bronze to BS 1400 LG2 - C
<b>Valve &amp; Seat</b>	:	Renewable 410 Stainless steel
<b>Stem</b>	:	Bronze to BS 2874 CZ132
<b>Rating</b>	:	1724 Kpa at 208 C Saturated Steam
	:	3447 Kpa at 38 C Water, Oil or Gas
<b>Construction</b>	:	Rising Spindle, OS & Y, Bolted Cover
<b>Services</b>	:	High Pressure Boiler & Steam Services
<b>Manufacturing Standard</b>	:	BS5154 - 1991

<b>Size</b>	<b>20</b>	<b>25</b>	<b>32</b>	<b>40</b>	<b>50</b>	<b>65</b>	<b>80</b>	<b>100</b>	<b>125</b>
<b>A</b>	89	89	105	105	123	136	142	170	192
<b>B</b>	89	89	105	105	118	133	128	160	194
<b>C</b>	114	121	133	140	165	184	203	228	279
<b>D</b>	12	14	17	17	19	19	22	25	28
<b>E</b>	290	290	305	343	406	432	451	572	596
<b>Wt</b>	9	9	13	13	20	28	36	58	100
<b>Kgs</b>									

**\*\*Flanges can be supplied drilled to your specifications. Complete range of spares available. Valve when wide open can be re-packed under pressure.**

# BRONZE GLOBE VALVE



## Fig 3040 STOP VALVE

<b>Connections</b>	:	Flanged BS10 table - E Drilled / Undrilled
<b>Body &amp; Cover</b>	:	Bronze to BS 1400 LG2 - C
<b>Valve &amp; Seat</b>	:	Renewable 410 Stainless steel
	:	689 Kpa at 208 C Saturated Steam
<b>Construction</b>	:	1378 Kpa at 38 C Water, Oil or Gas
<b>Services</b>	:	Rising Spindle, Screwed Cover
<b>Manufacturing Standard</b>	:	Low Pressure Steam Services BS5154 - 1991

Size	20	25	32	40	50	65	80
<b>A</b>	98.8	117.4	127	143	178	200	203
<b>B</b>	101.6	114.3	120.6	133.3	152.4	165	184.1
<b>C</b>	9.6	9.6	12.7	12.7	14.3	14.3	14.3
<b>D</b>	158	158	158	195	203	254	265
<b>Wt</b>	3.6	5	6.5	9	12	16	20
<b>Kgs</b>							

**\*\*Flanges can be supplied drilled to your specifications.**  
**Spare Parts: Complete range of spares available.**  
**Repacking: Valve when wide open can be re-packed under pressure.**