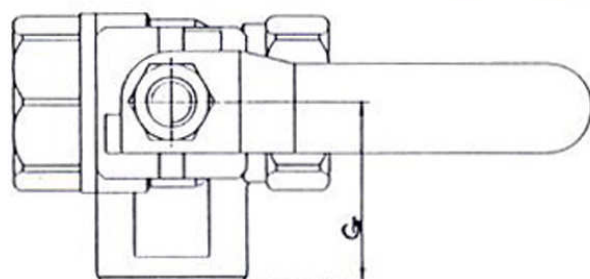
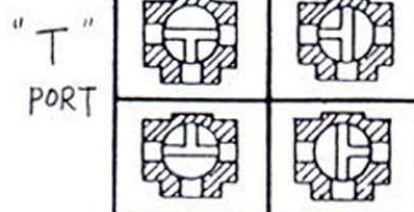
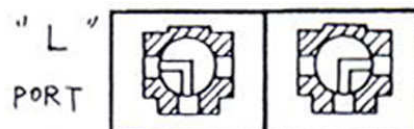
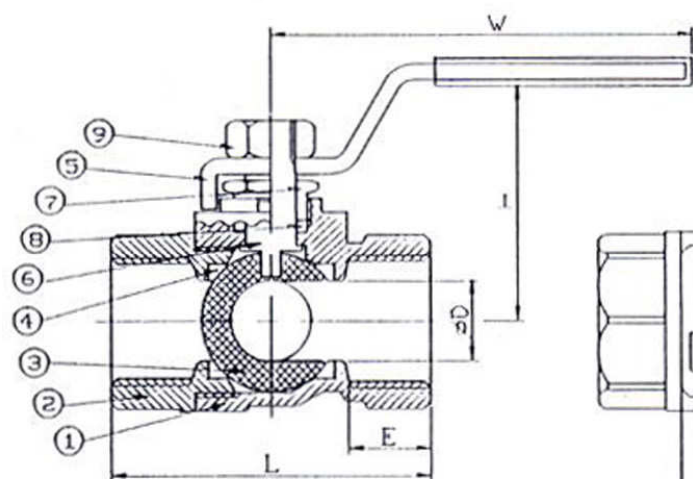


FORGED BRASS BALL VALVE

- THREE WAY I.P.S.
- FULL PORT
- 400 W.O.G.
- 150 PSI SATURATED STEAM



9	NUT	STEEL-ZINC PLATED
8	STEM PACKING	TEFLON-PTFE
7	STEM GLAND SCREW	BRASS-ASTM B16 C36000/JIS C3604BD
6	STEM	BRASS-ASTM B16 C36000/JIS C3604BD
5	HANDLE	STEEL-ZINC PLATED
4	BALL DISC PACKING	TEFLON-PTFE
3	BALL DISC	BRASS-ASTM B16 C36000/JIS C3604BD ASTM B124 C37700/JIS C3771BE
2	END PLUG	BRASS-ASTM B124 C37700/JIS C3771BE
1	BODY	BRASS-ASTM B124 C37700/JIS C3771BE
NO.	PART NAME	MATERIAL

Size	Dimensions-mm./inch					
	L	D	H	W	E	G
1/4"	47	10	38	85	12	24
	1.85	0.39	1.50	3.35	0.47	0.94
3/8"	48	10	38	85	12	24
	1.89	0.39	1.50	3.35	0.47	0.94
1/2"	52	12.7	41	85	13	29
	2.05	0.50	1.61	3.35	0.51	1.14
3/4"	63	19	49	110	14	34
	2.48	0.75	1.93	4.33	0.55	1.34
1"	75	25	53	110	17	41
	2.95	0.98	2.09	4.33	0.67	1.61

FIG : 180SSW

LIST OF PARTS AND MATERIALS