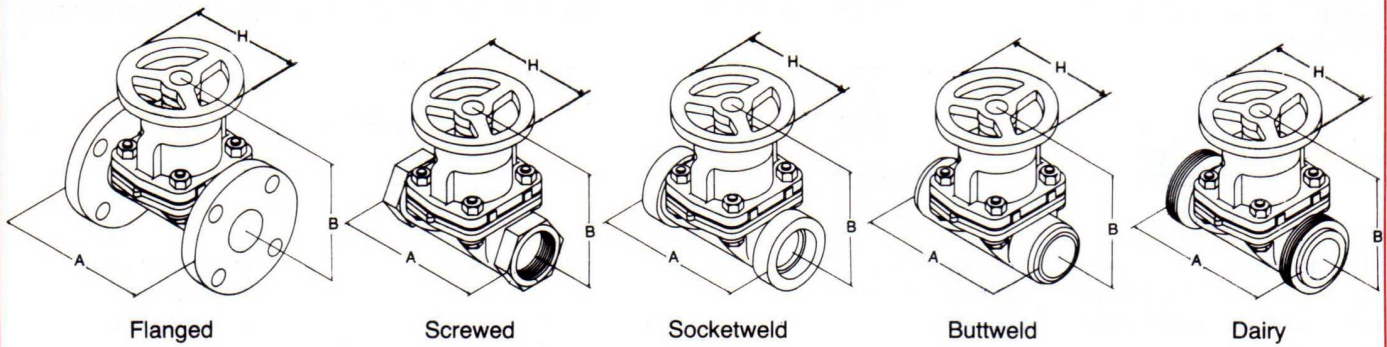


Diaphragm Valves Basic Details



Valve Size	Screwed Female Connections		Socket Weld Butt Weld Dairy Connection	Flanged Connections				Series "S" Valves	Series "G" Valves	All Valves
	(D N)	A		A	A					
	CI-SG	CS,SS GM	All Materials	Unlined	Lined	Glass Lined	Teflon Lined	All Materials	All Materials	All Materials
6	48	—	—	—	—	—	—	70	—	70
10	48	—	—	—	—	—	—	70	—	70
15	64	108	108	108	114	111	112	77	80	70
20	83	117	117	117	123	120	121	84	—	70
25	108	127	127	127	133	130	131	96	95	100
32	121	146	146	146	152	149	150	104	—	100
40	140	159	159	159	165	162	163	135	97	140
50	165	190	190	190	196	193	194	147	141	140
65	203	216	216	216	222	219	220	166	160	140
80	254	254	254	254	260	257	258	214	189	225
100	—	—	—	305	313	308	311	236	222	225
125	—	—	—	356	364	359	362	269	—	310
150	—	—	—	406	414	409	416	325	409	368
200	—	—	—	521	529	524	531	442	575	471
250	—	—	—	635	645	—	—	524	659	587
300	—	—	—	749	759	—	—	624	659	690
350	—	—	—	749	759	—	—	810	—	690

Dimensions shown are for planning purpose and should not be used for manufacturing.

BDK Valves are manufactured to the following standards as well as being in overall lengths to BS 5156, DIN 3202 Part I (277) Series F1.

	Flanges	Female Screwed Ends	Weld Connection	Food & Beverages Industries.
British	BS 10 tables D, E & F BS 4504 tables PN 10/16 BS 1560 Class 150	BS 21 taper BS 21 parallel	BS 1864 Tube BS 1640 Parts 2/4 1968 Schedule 10s, 40s.	BS 1864 BS 4825 Part 4
American	ANSI B 16.1 Class 125 ANSI B 16.5 Class 150	API 5 B	ANSI B 16.25 1972	DIN 11851 Part 1/DIN 405 Part 1
German	DIN 2532/3 DIN 2632/3	DIN 259		
Japanese	JIS B 2212	JIS B 0202 JIS B 0203		
International		ISO 228		FIL/IDF 14 1960 ISO 2853 IS 3382 - 1965