



STEAM SPECIALITIES

AIR ELIMINATORS FOR WATER SYSTEMS

AE 30 SS

(Stainless Steel)

DESCRIPTION

The AE30SS all stainless steel sealed body air eliminator removes air from hot and superheated water systems and is also suitable for all liquids compatible with the construction, providing that their specific gravity is not less than 0,65 Kg/dm³. This ball float type automatic air eliminator can be used in combination with other air elimination and separation systems or directly applied at high points in the piping.

Connections are female screwed.

MAIN FEATURES

Corrosion-resistant body and working parts.

USE: Cold, hot and superheated water systems.

AVAILABLE MODELS:

AE30SS

SIZES: 1/2" and 3/4".

CONNECTIONS: Inlet 1/2" or 3/4" vertical.

Outlet 1/2" vertical.

Female screwed ISO 7/1Rp(BS21)

ANSI B2.1 on request

INSTALLATION: Vertical installation. It must be installed absolutely vertically at the points in the plant where the air tends to collect. The drain should be piped to a safe position. See IMI installation and maintenance instructions.

PMA: Max. allowable pressure 50 bar

PMA: Max. allowable temperature 350 °C

PMO: Max. operating pressure 30 bar

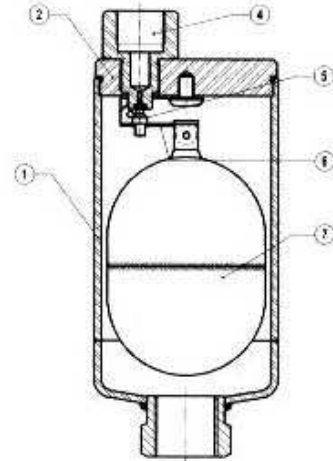
TMO: Max. operating temperature 300 °C

APPLICATION LIMITS

Minimum liquid specific weight : 0.65 Kg/dm³

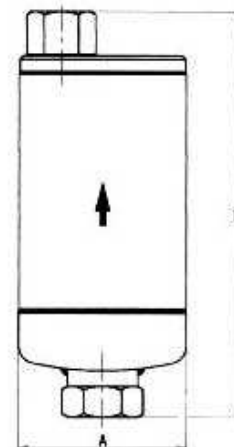
AE30SS - Max. differential pressure: 30 bar

How to order: i.e. AE30SS DN 1/4" BSP.



MATERIALS:

POS.NR.	DESIGNATION	MATERIAL
1	BODY	AISI 304
2	COVER	AISI 304
4*	SEAT	STAINLESS STEEL
5	VALVE	STAINLESS STEEL
6	LEVER	STAINLESS STEEL
7	FLOAT	STAINLESS STEEL



FLOW RATE CAPACITY IN N l/min

MODEL	SIZE	DIFFERENTIAL PRESSURE (bar)																	
		0.5	1	2	3	4	5	6	7	8	9	10	12	15	18	20	22	25	30
AE30SS	1/2"-3/4"	50	70	90	100	135	150	175	180	185	200	220	240	255	285	300	330	370	400

DIMENSIONS (mm)

SIZE	A	B	WEIGHT
DN			Kg
1/2"	75	175	1.3
3/4"	75	175	1.3

Capacities at a standard atmospheric pressure of 1bar and 20°C.

If the temperature differs from 15°C, the discharge capacity can be corrected by multiplying it by: $\frac{288}{273 + T}$, where T is the actual temperature in °C.

VALSTEAM ENGINEERING, S.A.

We reserve the right to change the design and material of this product without notice.



Produced in accordance with Article 3, paragraph 3 of the PED - European Pressure Equipment Directive - 97/23/EC.
Produzido em conformidade com o Artigo 3º, parágrafo 3 da PED -Directiva Europeia 97/23/EC (Decreto-Lei 211/99).

IS 2.231 E 11.01