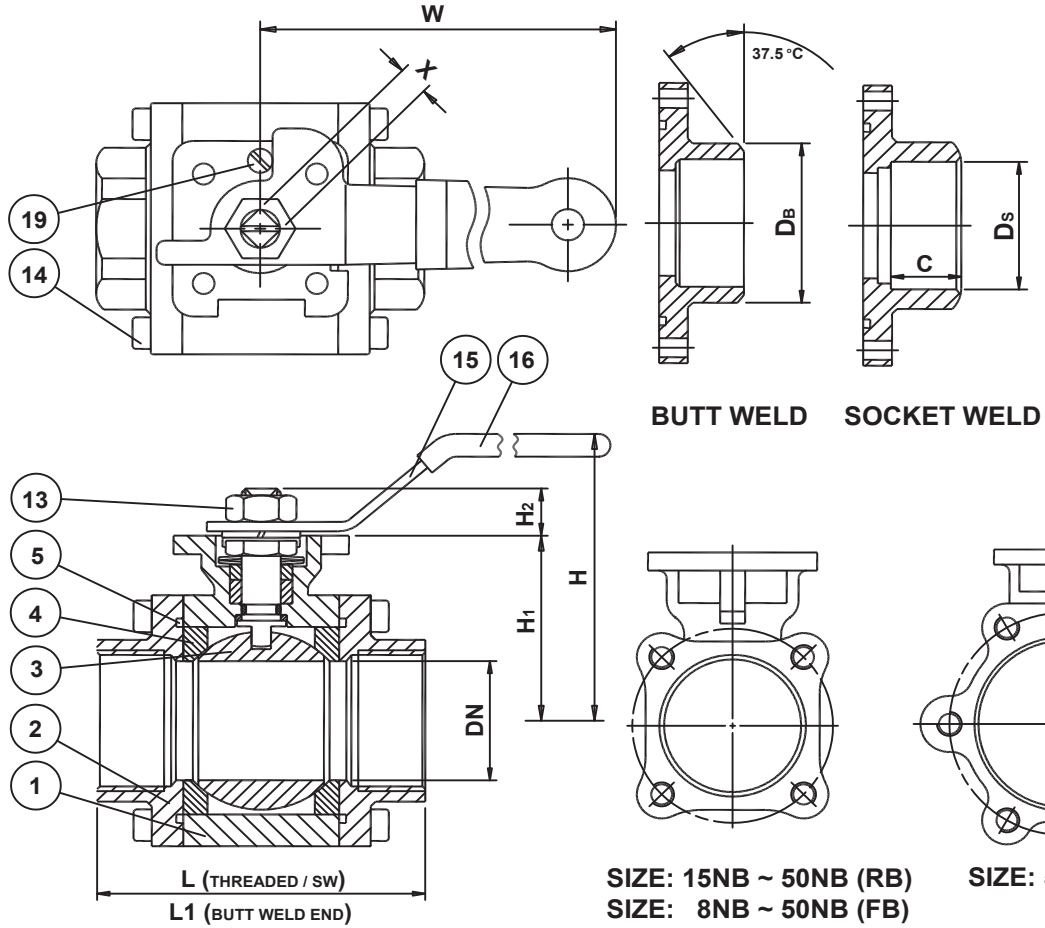


**FIRESAFE API 607**

C/W ISO 5211 MOUNTING PAD  
 DIN 3202-M3 (SCREWED ENDS / SOCKET WELD ENDS)  
 DIN 3202-S13 (BUTT WELD ENDS)

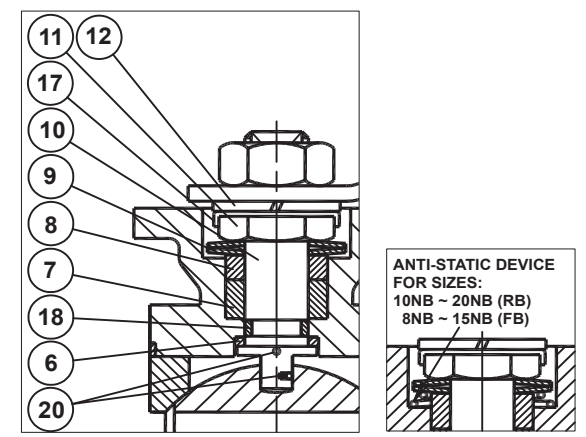
PRESSURE: 2000 PSI (138 BAR) W.O.G.



SIZE: 15NB ~ 50NB (RB)  
 SIZE: 8NB ~ 50NB (FB)

SIZE: 50NB (FB)

NO	PART NAME	MATERIAL
1	BODY	ASTM A351 CF8M
2	END CAP	ASTM A351 CF8M
3	BALL	ASTM A351 CF8M (316)
4	SEAT	PTFE
5	GASKET	GRAPHITE
6	THRUST WASHER	GRAPHITE
7	STEM PACKING	GRAPHITE
8	GLAND	AISI 304
9	BELLEVILLE WASHER	AISI 6150
10	STEM	ASTM A276 316
11	PACKING NUT	AISI 304
12	HANDLE WASHER	AISI 304
13	HANDLE NUT	AISI 304
14	BOLT	AISI 304 Gr B8
15	HANDLE	AISI 304
16	HANDLE COVER	PVC
17	LOCK SADDLE	AISI 304
18	O-RING	VITON
19	STOP BOLT	AISI 304
20	ANTI STATIC DEVICE	AISI 304



SIZE	DN (F)	DN (R)	H	H1	H2	W	L	X	DB	DS	C	ISO 5211
8	11	11	70	42	9	140	65	9	13.8	14.2	10	F04
10	11	11	70	42	9	140	65	9	17.3	17.6	10	F04
15	14	11	70	42	9	140	75	9	21.7	21.8	13	F04
20	20.5	14	90	50	11	180	80	11	27.2	27.2	15	F04-F05
25	25	20.5	100	60	11	180	90	11	34	33.9	15	F04-F05
32	31.5	25	114	72	11	215	110	11	42.7	42.7	15	F07
40	37	31.5	118	76	17.5	215	120	17	48.6	48.8	16	F07
50	50	37	135	93	17.5	215	140	17	60.5	61.2	17	F07

REV C		
	MAY 2012	<b>V3FSRB or V3FSFB</b>
SCALE	TO FIT	
<b>3-PCE BALL VALVE 316SS API 607 FIRESAFE</b>		