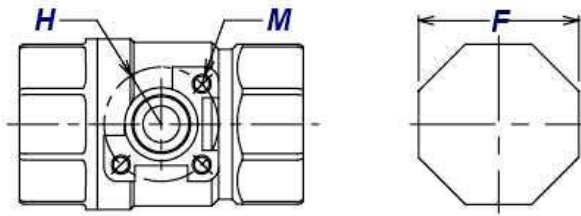


BROOK VALVES

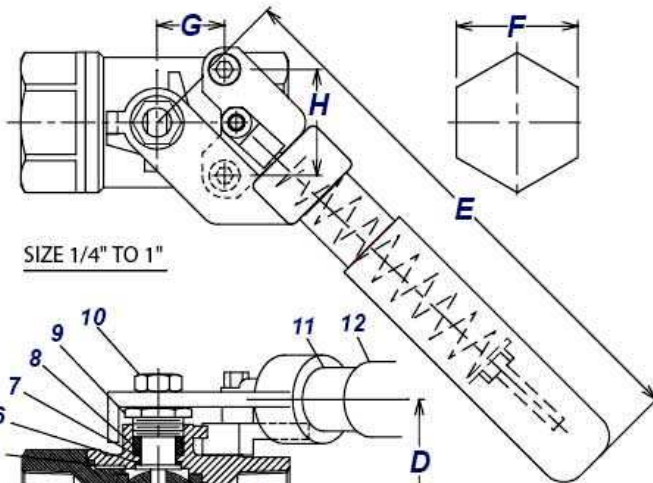
V2DM

Two-Piece 2000PSI Thread Ends Spring Return Ball Valve

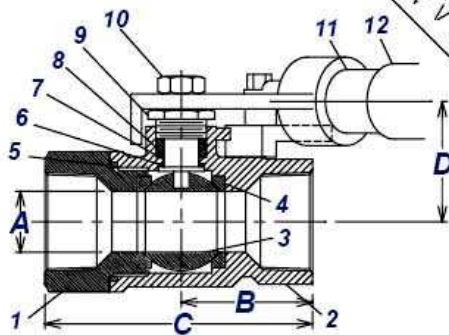
1/4"~1/2" Full Port, 3/4"~2" Reduce Port



SIZE 1-1/4" TO 2"



SIZE 1/4" TO 1"



FEATURES

1. INVESTMENT CASTING
2. FLOATING BALL
3. SPRING RETURN HANDLE
4. THREADS NPT

MATERIAL LIST

| NO. | PART'S NAME | MATERIAL | |
|-----|---------------|------------|-----|
| 1 | BODY | CF8M | WCB |
| 2 | CAP | CF8M | WCB |
| 3 | BALL | CF8M | CF8 |
| 4 | BALL SEAT | PTFE+15%GF | |
| 5 | JOINT GASKET | PTFE | |
| 6 | THRUST WASHER | PTFE+15%GF | |
| 7 | STEM | AISI 316 | |
| 8 | STEM PACKING | PTFE+15%GF | |
| 9 | GLAND NUT | A194 Gr.8 | |
| 10 | STEM NUT | A194 Gr.8 | |
| 11 | SPRING HANDLE | AISI 304 | |
| 12 | HANDLE COVER | PLASTIC | |

PRESSURE TEST

| | |
|--------------------|---------|
| SHELL TEST (WATER) | 3000PSI |
| SEAT TEST (WATER) | 2200PSI |
| SEAT TEST (AIR) | 85PSI |

PRESSURE-TEMPERATURE RATING



TEMPERATURE °F

UNIT:MM

DIMENSIONS

| SIZE | 1/4" | 3/8" | 1/2" | 3/4" | 1" | 1-1/4" | 1-1/2" | 2" |
|------|------|------|------|------|------|--------|---------|------|
| A | 11 | 12.5 | 12.5 | 15 | 20 | 25 | 32 | 38 |
| B | 27.5 | 27.5 | 28.4 | 37.5 | 43 | 46 | 51.5 | 62 |
| C | 58.5 | 58.5 | 65 | 77 | 86.5 | 99 | 103 | 124 |
| D | 30 | 30 | 30 | 37.3 | 39.5 | 53.5 | 57.7 | 64.5 |
| E | 180 | 180 | 180 | 180 | 180 | 275 | 275 | 275 |
| F | 24 | 24 | 27 | 32 | 41 | 50 | 60 | 70 |
| G | | 12.7 | | | 22.1 | | | |
| H | | 28.5 | | | 34.8 | | ∅50 | |
| M | | | M6*1 | | | | M8*1.25 | |