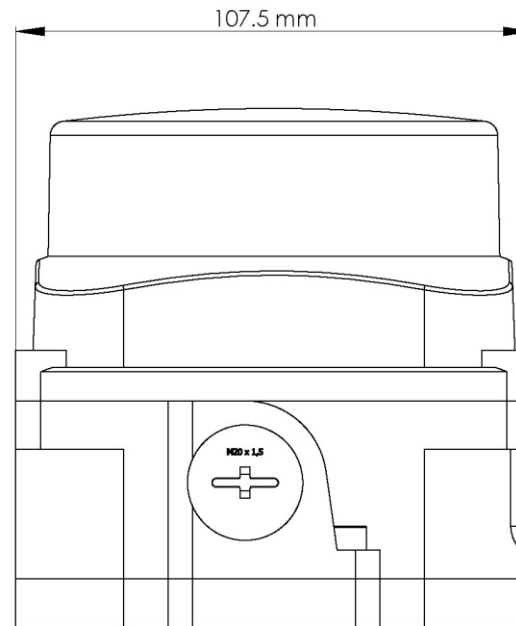
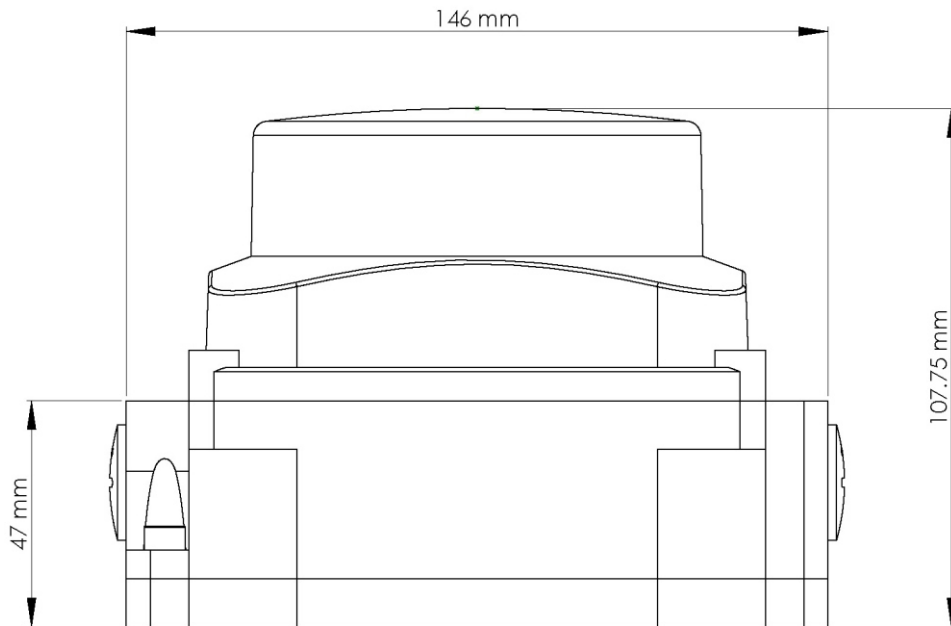
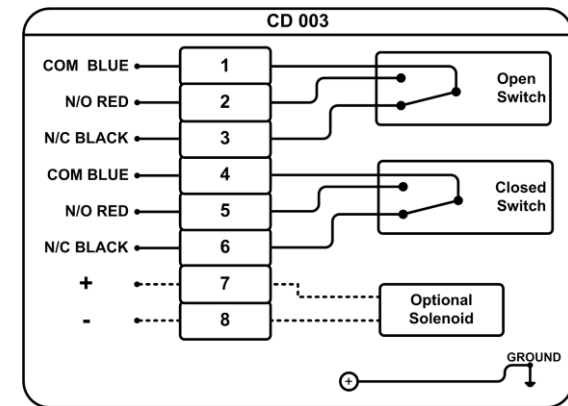


# DATA SHEET: LSA-M2WARNM



## WIRING DIAGRAM:



## HOUSING:

Materials:

Base: - ABS  
Lid: - Co-Polyester  
Shaft: - Stainless Steel  
O-rings: - Nitrile

Electrical Entries: 2 x M20

Mounting: VDI/VDE3845 (NAMUR)

Enclosure: IP 68

## SWITCHES:

Type: Single Pole Double Throw

Rating: 250V 10A

Temperature: -20°C to 80°C