



Bronze Swing Check Valve

150psi saturated steam to 185°C or 365°F
300psi non-shock cold water, oil or gas

Feature:

1. Horizontal swing type
2. Bronze (metal) disc

Dimension

Size	H	L
1/4"	39.0	55.0
3/8"	39.0	55.0
1/2"	39.0	55.0
3/4"	43.0	63.0
1"	48.0	73.0
1.1/4"	58.0	81.0
1.1/2"	61.0	92.0
2"	68.0	108.0
2.1/2"	86.0	137.0
3"	97.0	148.0
4"	113.0	180.0

Parts & Material

1	Body	Cast Bronze
2	Bonnet	Cast Bronze
3	Disc	Cast Bronze
4	Hinge Pin	1/4"~2" Brass 2-1/2"~4" SUS 304
5	Bolt	Brass

Working Pressures

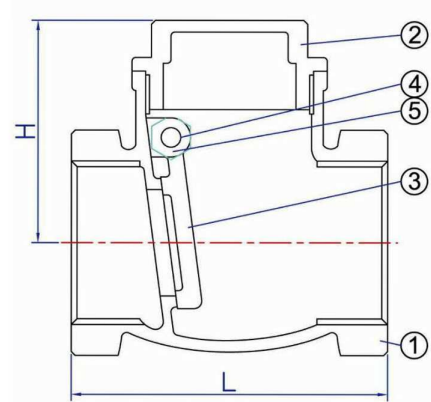
Working pressure (Non shock)		Test pressure	
Saturated Steam	Cold water, Oil, Gas	Shell	Seat
150	300	450	80

*100psi=7.03kg/cm²

*shell tested by hydro, seat tested by air.



ST-401



Packing

1/4"	3/8"	1/2"	3/4"	1"	1-1/4"	1-1/2"	2"	2-1/2"	3"	4"	
100	100	140	100	70	35	30	20	10	6	4	pcs
27	26	32	30	32	23	24	23	26	19	21	kgs