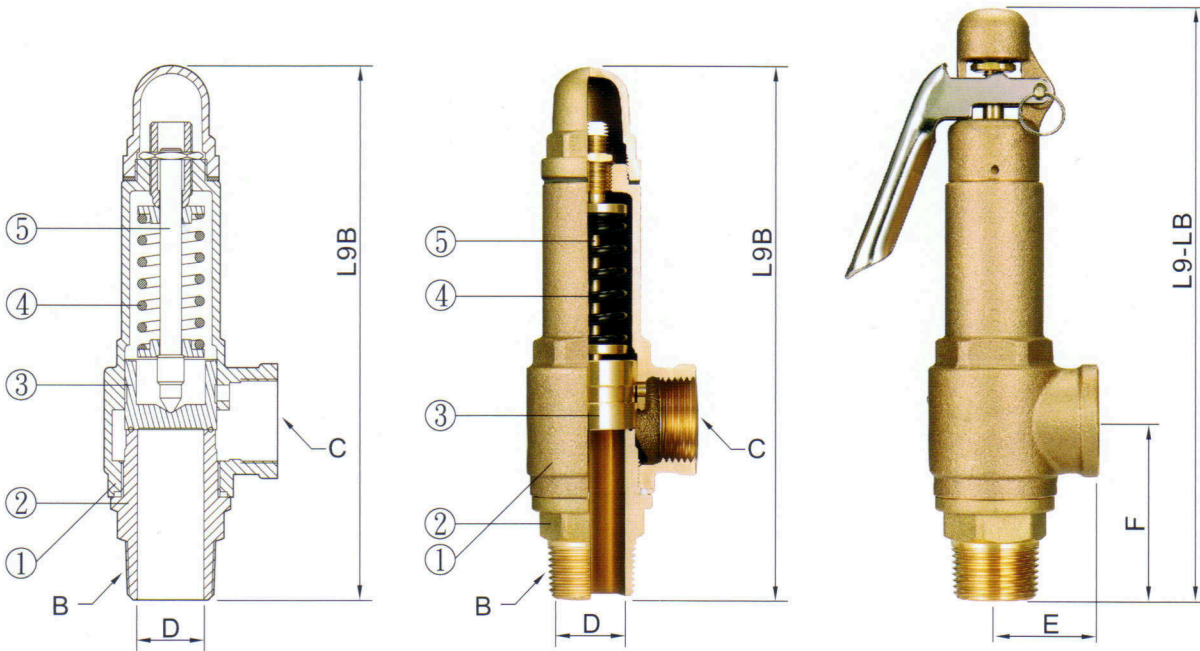




BRONZE SAFETY VALVES

L9B Sealing 1/2"~2"

L9-LB Lever 1/2"~2"



Dimensions

(Sealing)

Unit:mm

(Lever)

Unit:mm

| Item | (Sealing) | | | | | | | (Lever) | | | |
|--------|-----------|--------|--------|------------------------------|------|-----------|------|-----------|--------|-----|-----|
| | Size | Inlet | Outlet | 閥座徑 Valve seat orifice | Lift | Wt. kg | Size | Wt. kg | | | |
| L9B | B | C | D | E | F | L9-LB | | | | | |
| 1/2" | 145 | 1/2" | 1/2" | 13 | 29 | 49 | 0.52 | 0.5 | 1/2" | 168 | 0.6 |
| 3/4" | 167 | 3/4" | 3/4" | 19 | 36 | 55 | 0.76 | 0.8 | 3/4" | 190 | 0.9 |
| 1" | 202 | 1" | 1" | 25 | 40 | 67 | 1.00 | 1.3 | 1" | 223 | 1.4 |
| 1-1/4" | 233 | 1-1/4" | 1-1/4" | 32 | 50 | 79 | 1.28 | 2.2 | 1-1/4" | 248 | 2.2 |
| 1-1/2" | 257 | 1-1/2" | 1-1/2" | 38 | 54 | 86 | 1.52 | 2.9 | 1-1/2" | 272 | 2.9 |
| 2" | 283 | 2" | 2" | 50 | 66 | 96 | 2.00 | 4.7 | 2" | 299 | 5.0 |

General Material

| NO. | Parts Name | Model | L9B Sealing | L9-LB Lever |
|------------------|------------|---------------|----------------------------|--|
| 1 | Valve Body | Cast Bronze | | |
| 2 | Valve Seat | Forging Brass | | |
| 3 | Disc | Forging Brass | | |
| 4 | Spring | Steel | | |
| 5 | Stem | Brass | | |
| Working Pressure | | | 0.3~2 kgf/cm ² | 2.1~10 kgf/cm ² 11~20 kgf/cm ² |
| Working Temp | | | -45 °C~185 °C | |
| Working Fluid | | | Noncorrosive Gas、Air、Steam | Noncorrosive Gas、Air、Steam |