

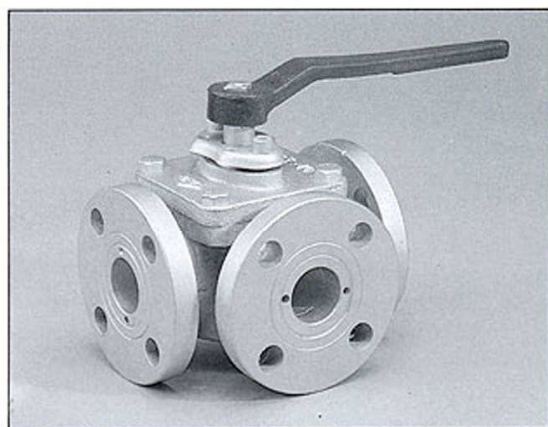
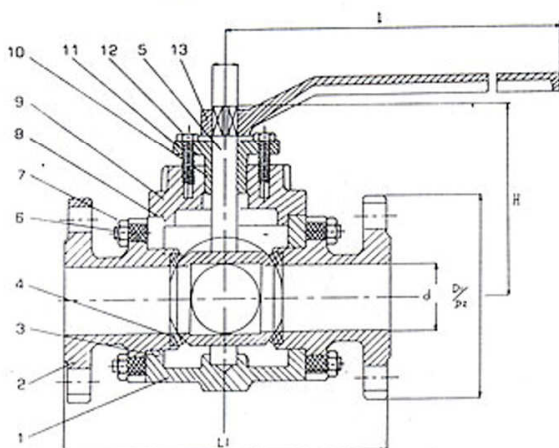
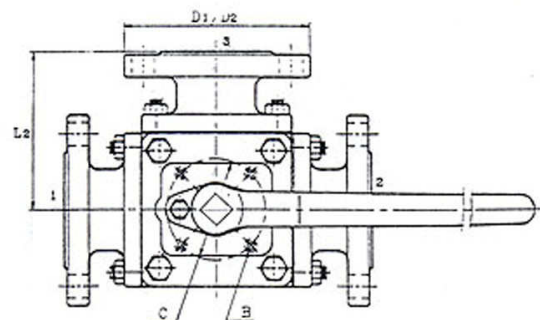
3-Way Ball Valve

DE-28 CI/S4/S6

3-WAY BALL VALVES

CI (CAST IRON FC-20)
S4 (SUS304) / S6 (SUS316)
FULL PORT, FLANGED ENDS

• SIZE: 1½" Thru 10"



• MATERIAL LIST

NO	DESCRIPTION	MATERIAL		
1	BODY	CAST IRON	ASTM A351-CF8M	ASTM A351-CF8
2	PLANGE CAP	FC-20	ASTM A351-CF8M	ASTM A351-CF8
3	BODY PACKING	PTFE	PTFE	PTFE
4	BALL SEAT	PTFE	PTFE	PTFE
5	BALL WITH STEM	ASTM A351-CF8	ASTM A351-CF8M	ASTM A351-CF8
6	BOLT	SS 41	SUS 316	SUS 304
7	NUT	SS 41	SUS 316	SUS 304
8	TOP BODY PACKING	PTFE	PTFE	PTFE
9	TOP COVER	CAST IRON	ASTM A351-CF8M	ASTM A351-CF8
10	STEM PACKING	PTFE	PTFE	PTFE
11	GLAND	CAST IRON	ASTM A351-CF8	ASTM A351-CF8
12	GLAND BOLT	SS 41	SUS 316	SUS 304
13	HANDLE	FC-20	FC-20	FC-20

• DIMENSION LIST

• UNIT: M/M

VALVE SIZE		L1	L2	d	D1	D2	H	I	C	B	F	KGS
INCH	MM											
1½"	40	190	95	38	127	150	97	230	70	M8	F07	
2"	50	220	110	50	152	165	107	230	70	M8	F07	
2½"	65	250	125	63	178	185	142	340	102	M10	F10	
3"	80	260	130	76	190	200	152	340	102	M10	F10	
4"	100	340	170	100	229	220	178	340	102	M10	F10	
5"	125	410	205	125	254	250	220	380	125	M12	F12	
6"	150	450	225	150	279	285	272	510	125	M12	F12	
8"	200	600	300	200	343	340	300	720	140	M16	F14	
10"	250	750	375	250	406	405	350	750	165	M20	F16	

*REMARKS: 1) FLANGE DIAMETER D1 CONFORM TO AISI B 16.5, CLASS 150, D2 CONFORM TO DIN 2501/2633, RATING PN-16 PN-16

2) C—BOLT CYCLE DIAMETER; S—STEM DIAMETER;
B—BOLT HOLE SIZE; F—MOUNTING FLANGE TYPE.

3) MOUNTING FLANGE DIMENSIONS CONFORMS TO ISO 5211