

Air Release Valve (BSP)

Model: 80-01



- The SB Air Release Valves can remove all pockets of air quickly which entrained in a water transmission.
- Stainless steel trim assures low maintenance.
- Stainless steel floats unconditionally guaranteed.
- Easily maintained without special tools.
- Complete interchangeability of all parts.

Material of Construction

Body: Cast Iron

Cover: Cast Iron

Float: Stainless Steel

Seat: Stainless Steel

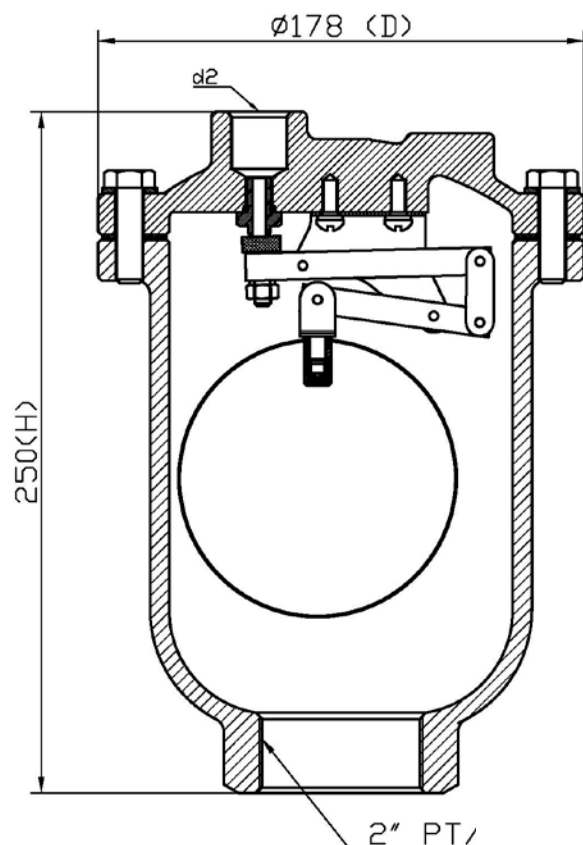
Gasket: EPDM/VITON

Other Features

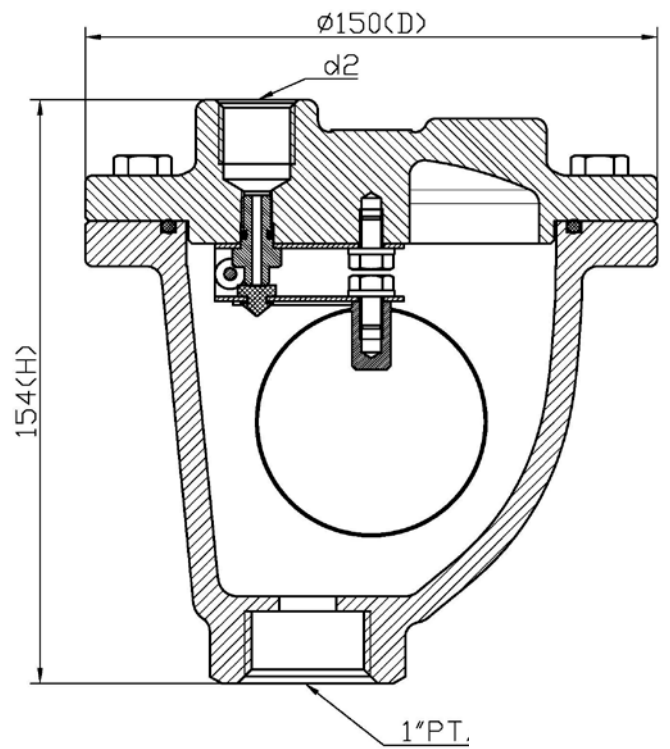
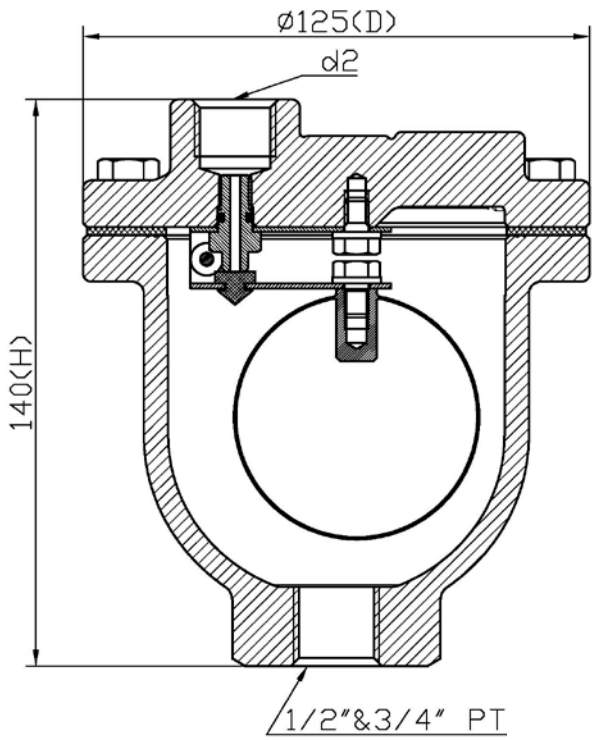
Max working Pressure: 12 kgf/cm^2
 175 PSI

Max working temperature: $120^\circ\text{C}/180^\circ\text{C}$

Dimensions



Model: 80-01



SIZE	D	H	d1	d2
1/2"	125	140	1/2" BSP	1/2"
3/4"	125	140	3/4" BSP	
1"	150	154	1" BSP	
2"	178	250	2" BSP	